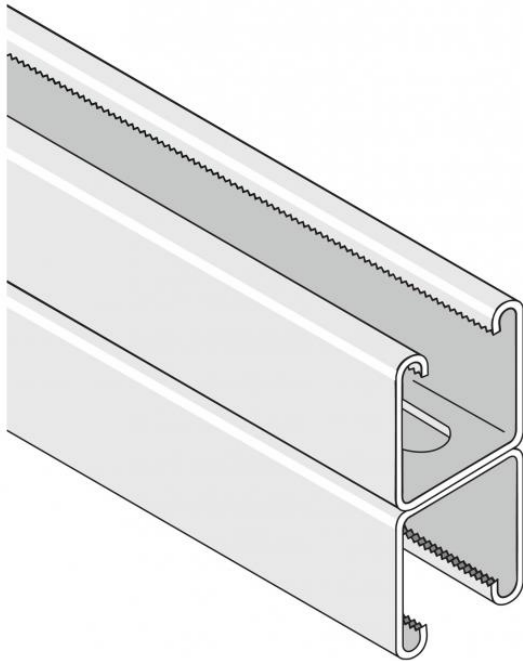


- ✓ RIGHT PRODUCTS
- ✓ RIGHT PLACE
- ✓ RIGHT TIME



Slotted Channel, Back to Back, 41 x 41, 2.5mm

Slotted Channel, Back to Back, 41 x 41, 2.5mm finished in either Pre Galvanised (PG) or Hot Dipped Galvanised Steel (HDG). Available in 3m and 6m lengths.

Manufactured from mild steel (S280GD) to BS 6946.

These standard duty channel sections have been designed to provide a versatile and economical solution to industrial framing and support problems.

Technical data supplied by the manufacturer.

Description

Dimensions: Back to Back, 41x41, 2.5mm

Lengths: 3m and 6m

Material: Mild Steel

Finish: Pre Galvanised (PG) or Hot Dipped Galvanised Steel (HDG)

- Channel manufactured to comply with BS 6946 from Mild Steel (S280GD) with a minimum yield stress of 280N/mm²
- Hot Dipped Galvanised (HDG) 55 Micron finish to BS EN ISO 1461
- Pre Galvanised (PG) BS EN 10346 Zinc coating Z275

Remark: This technical data sheet replaces all previous versions. The technical data contained herein is given in good faith and we cannot be held liable for any errors, inaccuracies, omissions or editorial failings. The information detailed in this technical data sheet is given by way of indication and is not exhaustive, users should contact either the seller or the manufacturer of the product for additional technical information concerning its use, if they think the information in their possession needs to be clarified in any way. Any illustrations shown are indicative only, and dimensions may differ slightly from batch to batch.

- ✓ RIGHT PRODUCTS
- ✓ RIGHT PLACE
- ✓ RIGHT TIME

Product Information Table - 3m Length

Span or Column Unsupported High (mm)	Uniform Load @ 175NN/mm ² Stress (kg)	Deflection (mm) at 175NN/mm ²	Uniform Load at Max. Deflection of 1/200 th Span (kg)	Uniform Load at Max. Deflection of 1/360 th Span (kg)	Max. Load of Column Loaded @ Centroid (kg)	Max. Load of Column Loaded @ Slot Face (kg)
C250	-	-	-	-	11952	2880
500	-	-	-	-	11682	2864
750	1670	1.21	-	-	11186	2833
1000	1253	2.15	-	-	10451	2783
1250	1002	3.36	-	-	9305	2695
1500	835	4.84	-	718	7790	2551
1750	716	6.59	-	527	6293	2367
2000	626	8.61	-	404	5068	2170
2250	556	10.89	-	319	4127	1977
2500	501	13.45	465	258	3410	1796
2750	455	16.27	384	213	2858	1630
3000	417	19.37	323	179	(2427)	(1480)

Remark: This technical data sheet replaces all previous versions. The technical data contained herein is given in good faith and we cannot be held liable for any errors, inaccuracies, omissions or editorial failings. The information detailed in this technical data sheet is given by way of indication and is not exhaustive, users should contact either the seller or the manufacturer of the product for additional technical information concerning its use, if they think the information in their possession needs to be clarified in any way. Any illustrations shown are indicative only, and dimensions may differ slightly from batch to batch.