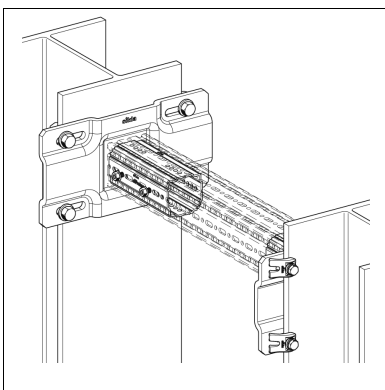
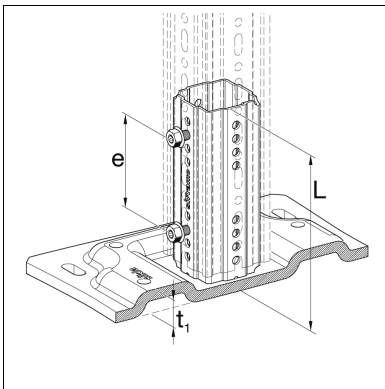
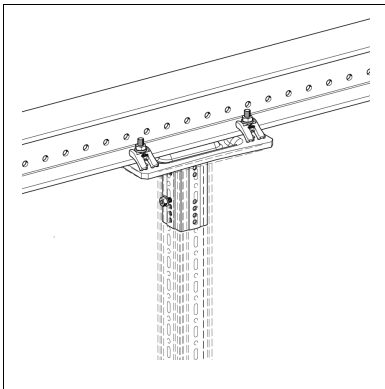


WBD F 80-80/120



## End Support WBD F 80

Group: A421

### Application

Plug-in component designed to create a square end plate at the open end of a Beam Section TP F80 or a Beam Bracket/Cantilever bracket AK F80. Variation "T" with octagonal insert allows full utilisation of beam section within the space required by the End Support WBD itself.

### Installation

Depending on the situation, different options are recommended:

- Directly to building structure: 4 x suitable wall anchors and 4 Self Forming Screws FLS applied to the square/octagonal insert
- To traditional steel beams between 80 – 310 mm flange dimensions: 1x Assembly Set 5P M12 S, M16 S and 4 Self Forming Screws FLS applied to the square/octagonal insert
- To traditional steel beams > 120 flange dimension: with on-demand Adaptor Plate (tbc)
- To Sikla Simotec steel beams 100/120: with Bracket Plates FV 100/120 when positive mechanical connection required

The Beam Section TP F 80 connected to the End Support WBD F 80 has to be screwed with 4 Self Forming Screws FLS F. On each of the opposite sides 2 Self Forming Screws FLS F are necessary. The permissible distance between base plate WBD and profile must not exceed 30 mm.

### Technical Data

Type	Base plate finish	for flange width [mm]	Dimensions of base plate [mm]	Slots in base plate [l x b]
WBD F 80-80/120	flat	80 - 120	220 x 220 x 12	30 x 14
WBD-P F 80-121/160	corrugated	121 - 160	320 x 260 x 12	20 x 14
WBD-P F 80-161/200	corrugated	161 - 200	320 x 310 x 12	20 x 18
WBD-P F 80-201/310	corrugated	201 - 310	420 x 220 x 12	55 x 18
WBD F 80-T	flat	80 - 120	220 x 220 x 12	30 x 14

Type	e [mm]	L [mm]	t <sub>1</sub> [mm]	Slots in base plate for
WBD F 80-80/120	max. poss. distance	202	-	M12
WBD-P F 80-121/160	max. poss. distance	202	27	M12
WBD-P F 80-161/200	max. poss. distance	202	27	M16
WBD-P F 80-201/310	max. poss. distance	202	27	M16
WBD F 80-T	max. poss. distance	152	-	M12

configuration: Plate welded to square F 80 resp. octagonal element F 80 (only WBD F 80-T)

material: Steel, HCP

### Approvals / Conformity

CE mark (Declaration of performance see [www.sikla.co.uk/service/downloads](http://www.sikla.co.uk/service/downloads))

Type	W [kg]	Quantity [pack]	Part number
WBD F 80-80/120	5.2	1	<b>192801</b>
WBD-P F 80-121/160	8.7	1	<b>117164</b>
WBD-P F 80-161/200	10.2	1	<b>117165</b>
WBD-P F 80-201/310	9.4	1	<b>117166</b>
WBD F 80-T	4.8	1	<b>192849</b>