

End Support STA F 80

Group: A422

Application

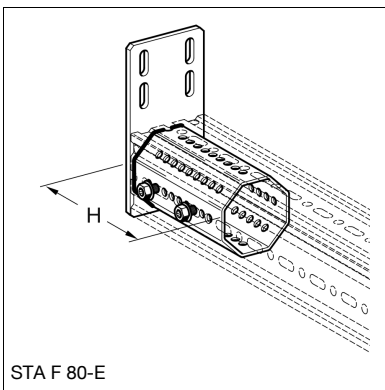
Plug-in component designed to create an endplate at the open end of a Beam Section TP F80 or a Cantilever bracket AK F80. The circular holes enable a direct connection to anchor channel or wall fixings.

Installation

Depending on the version, following mountings solutions are possible:

- With 2x4 Self Forming Screws FLS when used to connect 2 Beam Sections.
- With 4 Self Forming Screws FLS applied to the octagonal insert and 2 suitable wall anchors/fixings when connected to the building structure.

The Beam Section TP F 80/80 connected to the End Support STA F 80 has to be screwed with 4 Self Forming Screws FLS F. On each of the opposite sides 2 Self Forming Screws FLS F are necessary.



Technical Data

Type	Dimensions of Base plate [mm]	A [mm]	B [mm]	H [mm]
STA F 80	190 x 80 x 8	14	20 x 11	148
STA F 80-E	165 x 80 x 8	-	20 x 11	148

Configuration: Base plate welded to octagonal element F 80

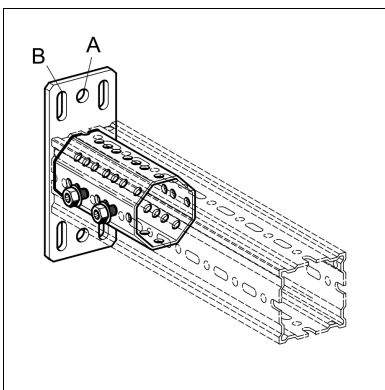
Material:

Plate Steel, HCP

Octagonal element Steel, HCP

Approvals / Conformity

CE mark (Declaration of performance see www.sikla.co.uk/downloads)



Type	W [kg]	Quantity [pack]	Part number
STA F 80	1.6	1	192856
STA F 80-E	1.5	1	192863

