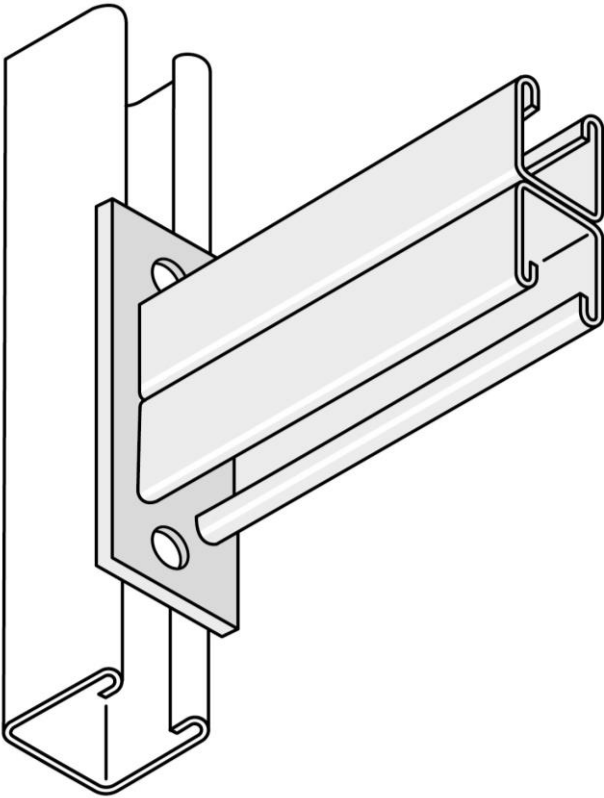


- ✓ RIGHT PRODUCTS
- ✓ RIGHT PLACE
- ✓ RIGHT TIME



Cantilever Arms - Double Channel

Cantilever Arms, Double Plain Channel available in sizes from 300mm to 900mm, with Hot Dipped Galvanised (HDG) finish.

Technical data supplied by the manufacturer.

Description

Dimensions: 300mm, 450mm, 600mm, 750mm and 900mm

Sizes: 2.5mm Thick Channel Section and 8mm Thick Backplate

Material: Mild Steel

Finishes: Hot Dipped Galvanised (HDG)

Country of Origin: India

Remark: This technical data sheet replaces all previous versions. The technical data contained herein is given in good faith and we cannot be held liable for any errors, inaccuracies, omissions or editorial failings. The information detailed in this technical data sheet is given by way of indication and is not exhaustive, users should contact either the seller or the manufacturer of the product for additional technical information concerning its use, if they think the information in their possession needs to be clarified in any way. Any illustrations shown are indicative only, and dimensions may differ slightly from batch to batch.

MEP & HVAC FIXING SPECIALISTS

Springhead Enterprise Park, Springhead Road, Northfleet, Kent DA11 8HJ
 T 01322 274226 F 01322 278178 E sales@fixmart.co.uk www.fixmart.co.uk