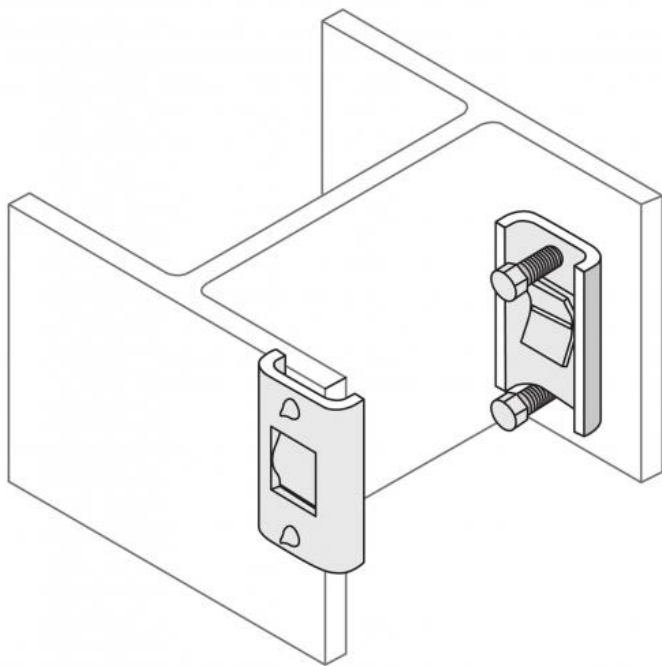


- ✓ RIGHT PRODUCTS
- ✓ RIGHT PLACE
- ✓ RIGHT TIME



## Internal Web Clamp

Internal Web Clamp for 41 x 41 Channel Section, with Hot Dipped Galvanised (HDG) finish.

---

Technical data supplied by the manufacturer.

### Description

---

To Suit: 41 x 41 Channel

Material: Mild Steel

Finish: Hot Dipped Galvanised (HDG)

Country of Origin: India

**Remark:** This technical data sheet replaces all previous versions. The technical data contained herein is given in good faith and we cannot be held liable for any errors, inaccuracies, omissions or editorial failings. The information detailed in this technical data sheet is given by way of indication and is not exhaustive, users should contact either the seller or the manufacturer of the product for additional technical information concerning its use, if they think the information in their possession needs to be clarified in any way. Any illustrations shown are indicative only, and dimensions may differ slightly from batch to batch.