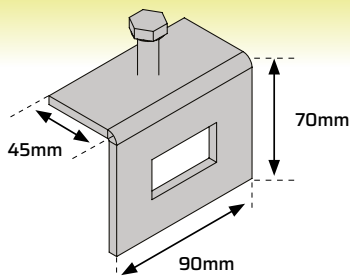


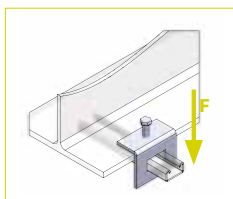
Beam Clamps

Window Beam Clamp (41 x 21)



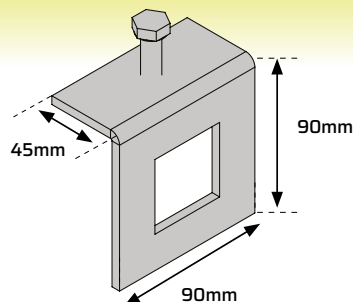
COMES WITH M10 X 40 SCREW

HOT-DIP GALVANISED (HDG)



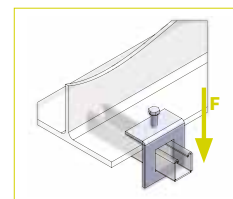
CODE	SIZE	MAX SAFE LOAD F kN
		(F KN)
2013 01083	45 x 70 x 90mm	2.200

Window Beam Clamp (41 x 41)



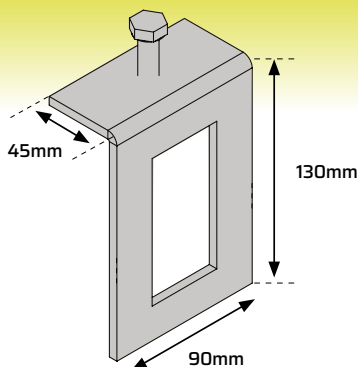
COMES WITH M10 X 40 SCREW

HOT-DIP GALVANISED (HDG)



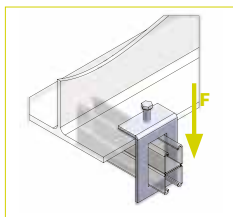
CODE	SIZE	MAX SAFE LOAD F kN
		(F KN)
2013 01084	45 x 90 x 90mm	2.200

Window Beam Clamp (41 x 82)



COMES WITH M10 X 40 SCREW

HOT-DIP GALVANISED (HDG)



CODE	SIZE	MAX SAFE LOAD F kN
		(F KN)
2013 01086	45 x 90 x 130mm	2.200

TECHNICAL DATA

Steel Minimum Yield Stress:	275N/mm ²
Steel Thickness:	5mm
Screw:	M10 x 40mm BZP cone point screw - grade 8.8
	Minimum coating thickness
Hot-Dip Galvanised (HDG)	55µm

MAXIMUM SAFE LOADS

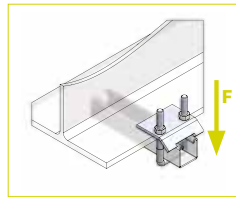
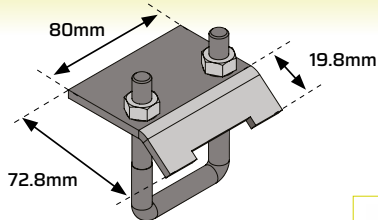
Must be used in pairs.
Maximum safe load is dependent on:

1. Per pair of beam clamps
2. 2.5mm Thick Channel
3. 12Nm torque setting
4. The load capacity of the channel and steel must be considered



Beam Clamps

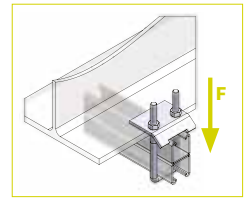
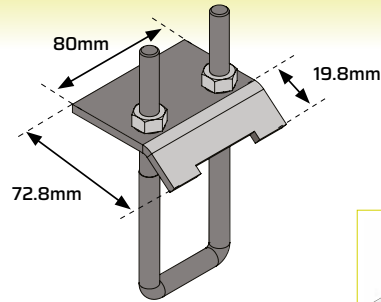
U Bolt Beam Clamp (41 x 41)



HOT-DIP GALVANISED (HDG)

CODE	SIZE	MAX SAFE LOAD F kN
		1. (F KN)
2013 01047	72.8 x 80 x 19.8mm	4.44

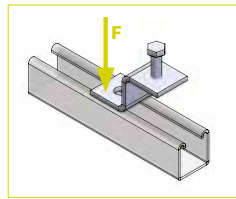
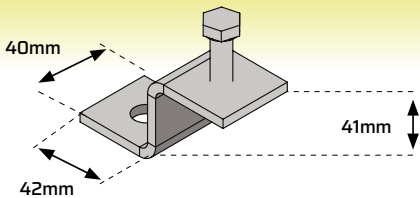
U Bolt Beam Clamp (41 x 82)



HOT-DIP GALVANISED (HDG)

CODE	SIZE	MAX SAFE LOAD F kN
		1. (F KN)
2013 01048	72.8 x 80 x 19.8mm	4.44

Z Beam Clamp (To suit all channel sections)



COMES WITH M10 X 40 SCREW

HOT-DIP GALVANISED (HDG)

CODE	SIZE	MAX SAFE LOAD F kN
		- 1 (F KN)
2013 01088	40 x 89 x 41mm	2.65

TECHNICAL DATA

Steel Minimum Yield Stress:	275N/mm ²
Steel Thickness:	5mm
Clearance Hole:	14mm
	Minimum coating thickness
Hot-Dip Galvanised (HDG)	55µm
U-Bolt: M10 with BZP finish	5µm

MAXIMUM SAFE LOADS

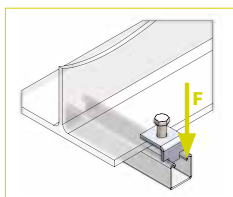
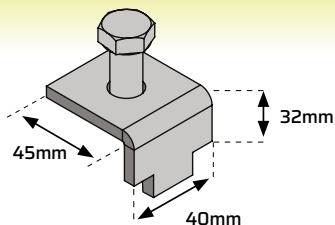
Must be used in pairs.
Maximum safe load is dependent on:

1. Per pair of beam clamps
2. 2.5mm Thick Channel
3. 20Nm torque setting
4. The load capacity of the channel and steel must be considered



Beam Clamps

Toe Clamp

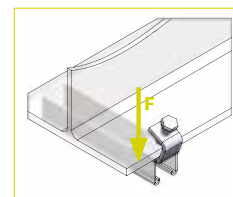
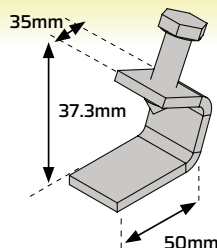


COMES WITH M10 X 40 SCREW

HOT-DIP GALVANISED (HDG)

CODE	SIZE	MAX SAFE LOAD F kN (F KN)
2013 01077	40 x 45 x 32mm	2.65

U Beam Clamp Small

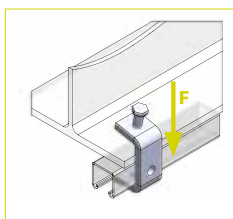
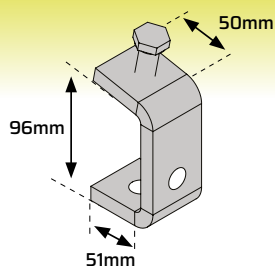


COMES WITH M10 X 40 SCREW

HOT-DIP GALVANISED (HDG)

CODE	SIZE	MAX SAFE LOAD F kN (F KN)
2013 01079	50 x 35 x 37.3mm	2.0

U Beam Clamp Large



COMES WITH M10 X 40 SCREW

HOT-DIP GALVANISED (HDG)

CODE	SIZE	MAX SAFE LOAD F kN (F KN)
2013 01078	50 x 51 x 96mm	2.2

TECHNICAL DATA

Steel Minimum Yield Stress:	275N/mm ²
Steel Thickness:	5mm
Clearance Hole:	14mm
Screw:	M10 x 40mm BZP cone point screw - grade 8.8
	Minimum coating thickness
Hot-Dip Galvanised (HDG)	55µm

MAXIMUM SAFE LOADS

Must be used in pairs.
Maximum safe load is dependent on:

1. Per pair of beam clamps
2. 2.5mm Thick Channel
3. 10Nm torque setting
4. The load capacity of the channel and steel must be considered

