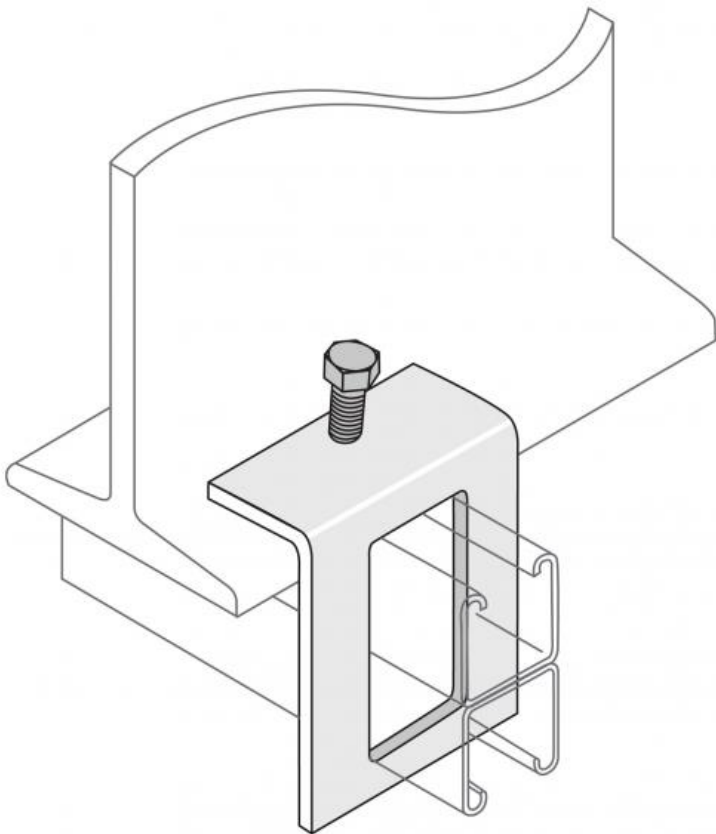


- ✓ RIGHT PRODUCTS
- ✓ RIGHT PLACE
- ✓ RIGHT TIME



## Window Beam Clamp for 41 x 82 Channel Sections

Window Beam Clamp for 41 x 82 Channel Section, with Hot Dipped Galvanised (HDG) finish.

Supplied with a M10 x 40 Cone Point Screw.

---

Technical data supplied by the manufacturer.

### Description

---

To Suit: 41 x 82 Channel

Sizes: Tapped Hole to suit 10mm Bolts and Bracket is 5mm Thick

Includes: M10 X 40 Cone Point Screw

Material: Mild Steel

Finishes: Hot Dipped Galvanised (HDG)

Country of Origin: India

**Remark:** This technical data sheet replaces all previous versions. The technical data contained herein is given in good faith and we cannot be held liable for any errors, inaccuracies, omissions or editorial failings. The information detailed in this technical data sheet is given by way of indication and is not exhaustive, users should contact either the seller or the manufacturer of the product for additional technical information concerning its use, if they think the information in their possession needs to be clarified in any way. Any illustrations shown are indicative only, and dimensions may differ slightly from batch to batch.

---

#### MEP & HVAC FIXING SPECIALISTS

Springhead Enterprise Park, Springhead Road, Northfleet, Kent DA11 8HJ  
 T 01322 274226 F 01322 278178 E sales@fixmart.co.uk www.fixmart.co.uk