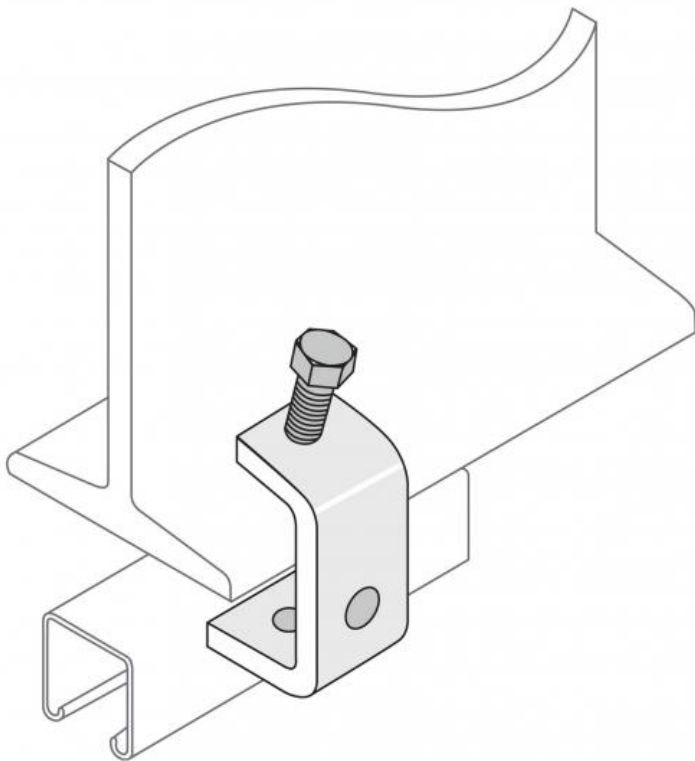


- ✓ RIGHT PRODUCTS
- ✓ RIGHT PLACE
- ✓ RIGHT TIME



U Beam Clamp - Large

Large U Beam Clamp with Hot Dip Galvanised finish and includes a M12 X 40 Cone Point Screw.

Suitable for all channel sizes and is fitted to the mouth of the channel.

Technical data supplied by the manufacturer.

Description

Sizes: Clearance Holes of 14mm and Top Hole is tapped to suit M12 Screws. Bracket is 5mm Thick

Includes: M12 X 40 Cone Point Screw

Material: Mild Steel

Finish: Hot Dipped Galvanised (HDG)

Country of Origin: India

Remark: This technical data sheet replaces all previous versions. The technical data contained herein is given in good faith and we cannot be held liable for any errors, inaccuracies, omissions or editorial failings. The information detailed in this technical data sheet is given by way of indication and is not exhaustive, users should contact either the seller or the manufacturer of the product for additional technical information concerning its use, if they think the information in their possession needs to be clarified in any way. Any illustrations shown are indicative only, and dimensions may differ slightly from batch to batch.