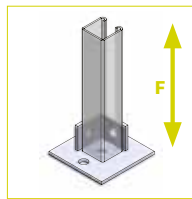
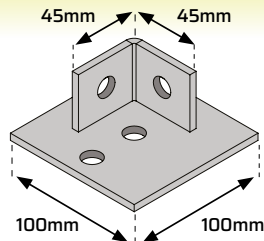


Base Plates & Gusseted Brackets

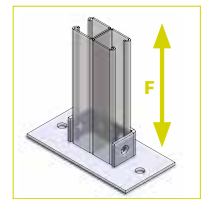
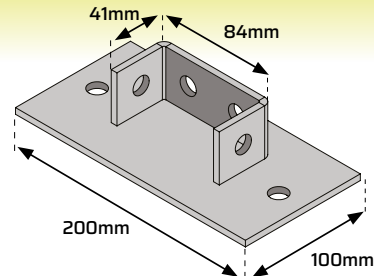
Base Plate 100mm



HOT-DIP GALVANISED (HDG)

CODE	SIZE	MAX SAFE LOAD F kN (F KN)
2013 01045	100 x 100mm	4.452

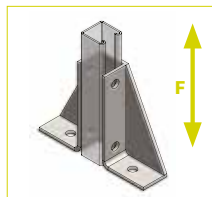
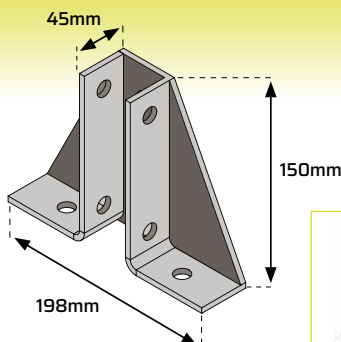
Base Plate 200mm



HOT-DIP GALVANISED (HDG)

CODE	SIZE	MAX SAFE LOAD F kN (F KN)
2013 01046	100 x 200mm	5.995

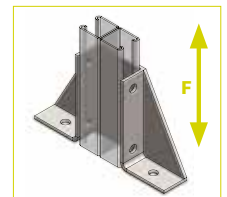
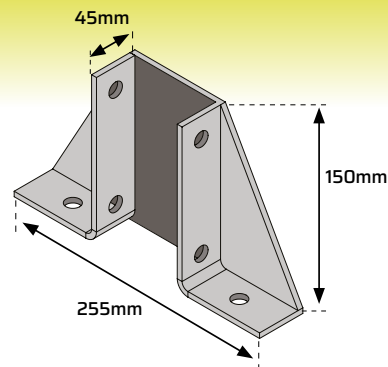
Gusseted Bracket Single Socket



HOT-DIP GALVANISED (HDG)

CODE	SIZE	MAX SAFE LOAD F kN (F KN)
2013 01065	45 x 150 x 198mm	3.443

Gusseted Bracket Double Socket



HOT-DIP GALVANISED (HDG)

CODE	SIZE	MAX SAFE LOAD F kN (F KN)
2013 01064	45 x 150 x 255mm	11.504

TECHNICAL DATA

Steel Minimum Yield Stress:	275N/mm ²
Steel Thickness:	5mm
Clearance Hole:	14mm
	Minimum coating thickness
Hot-Dip Galvanised (HDG)	55µm

MAXIMUM SAFE LOADS

Loads apply to channel bracket shown assembled with:

- 2.5mm Thick Channel
- M10 DIN 933 Grade 8.8 set screws with
- M10 DIN 125 washers
- 55Nm torque setting

