

- ✓ RIGHT PRODUCTS
- ✓ RIGHT PLACE
- ✓ RIGHT TIME

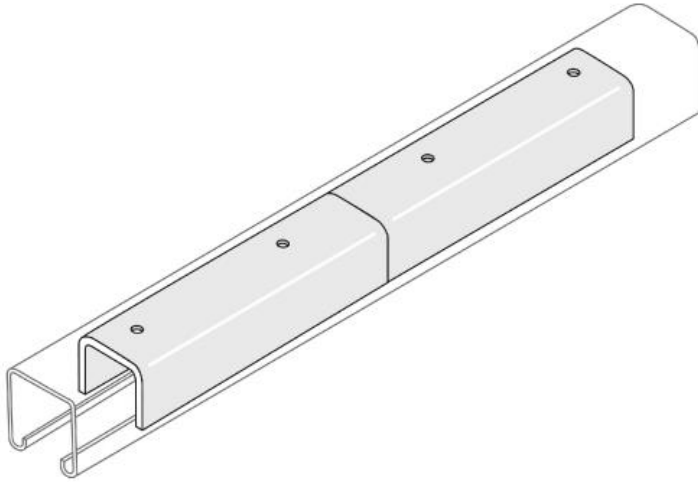
Internal Joiner – to suit 41 x 21 and 41 x 41 Channel

Internal Joiner Brackets in a Pre Galvanised (PG) finish and comes with M6 screws. Available to suit either 41x21 or 41x41 channel.

Supplied with four M6 Screws.

Internal Joiner Brackets are used on the installation of channel support systems, to join several channel sections together.

Technical data supplied by the manufacturer.



Description

To Suit: 41 x 21 and 41 x 41 Channel (pictured)

Includes: Four M6 Screws

Sizes: 2mm Thick and M6 Screw Holes

Material: Mild Steel

Finishes: Pre-Galvanised (PG)

- Brackets are manufactured to comply with BS 6946 from 2.5mm thick Mild Steel with a minimum yield stress of 170N/mm²

Remark: This technical data sheet replaces all previous versions. The technical data contained herein is given in good faith and we cannot be held liable for any errors, inaccuracies, omissions or editorial failings. The information detailed in this technical data sheet is given by way of indication and is not exhaustive, users should contact either the seller or the manufacturer of the product for additional technical information concerning its use, if they think the information in their possession needs to be clarified in any way.