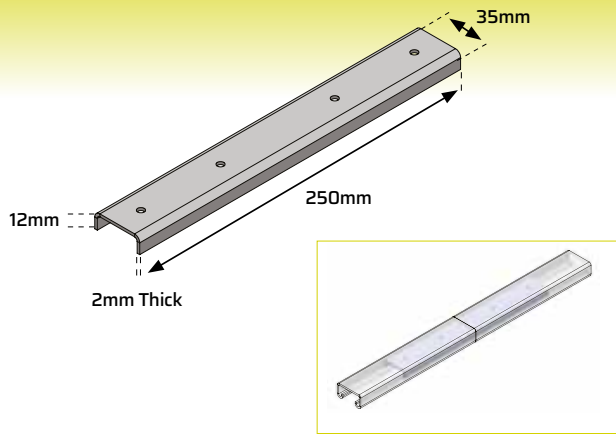


Joiners

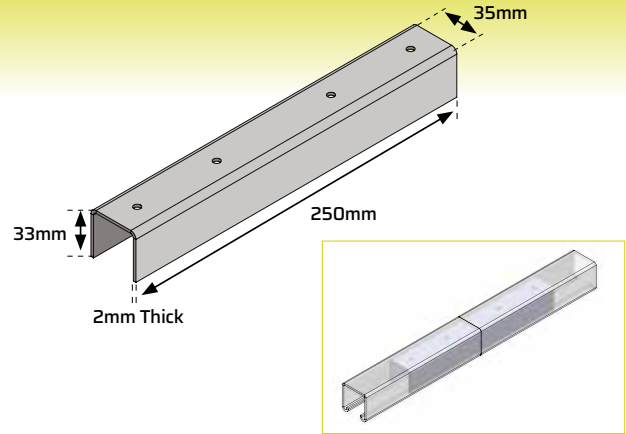
Internal Joiner (41 x 21)



HOT-DIP GALVANISED (HDG)

| CODE | SIZE | MAX SAFE LOAD F kN (F KN) |
|------------|------------------|------------------------------|
| 2013 01067 | 250 x 35 x 12 mm | 3.724 |

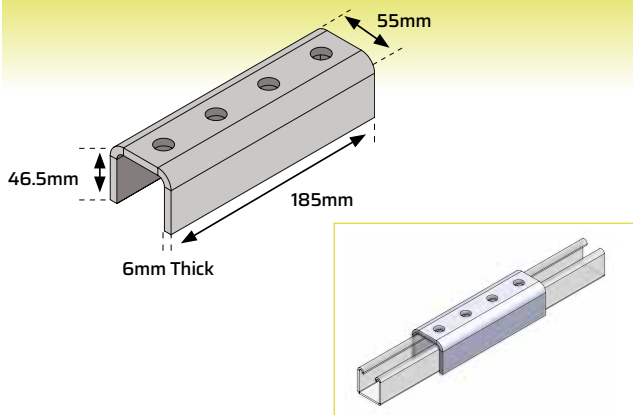
Internal Joiner (41 x 41)



HOT-DIP GALVANISED (HDG)

| CODE | SIZE | MAX SAFE LOAD F kN (F KN) |
|------------|------------------|------------------------------|
| 2013 01066 | 250 x 35 x 33 mm | 4.118 |

External Joiner (41 x 41)



HOT-DIP GALVANISED (HDG)

| CODE | SIZE | MAX SAFE LOAD F kN (F KN) |
|------------|--------------------|------------------------------|
| 2013 01059 | 184 x 55 x 46.5 mm | 16.040 |

TECHNICAL DATA

| | |
|----------------------------------|----------------------------------|
| Steel Minimum Yield Stress: | 275N/mm ² |
| Steel Thickness Internal Joiner: | 2mm |
| Steel Thickness External Joiner: | 6mm |
| Clearance Hole: | 14mm |
| | Minimum coating thickness |
| Hot-Dip Galvanised (HDG) | 55µm |