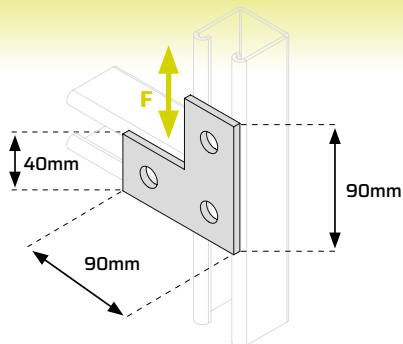


Flat Brackets

Flat L Bracket

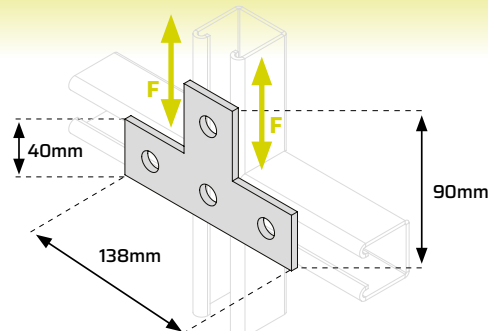


HOT-DIP GALVANISED (HDG)

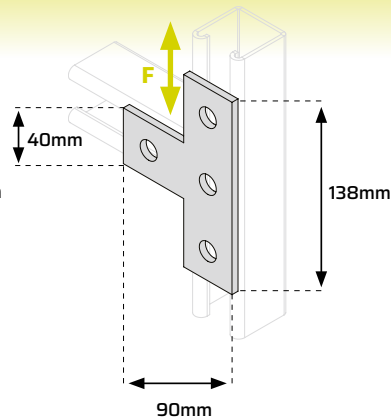
CODE	SIZE	MAX SAFE LOAD F kN
2013 01060	40 x 90 x 90mm	3.060

Flat T Bracket

1.



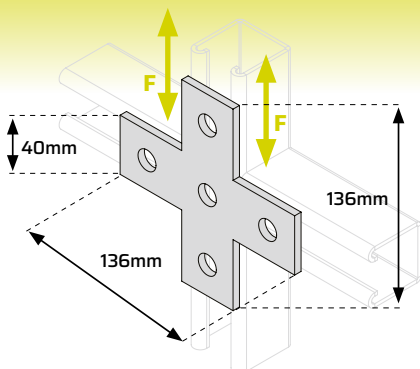
2.



HOT-DIP GALVANISED (HDG)

CODE	SIZE	1. MAX SAFE LOAD F kN	2. MAX SAFE LOAD F kN
2013 01062	40 x 90 x 138mm	7.000	4.200

Flat Cross Bracket

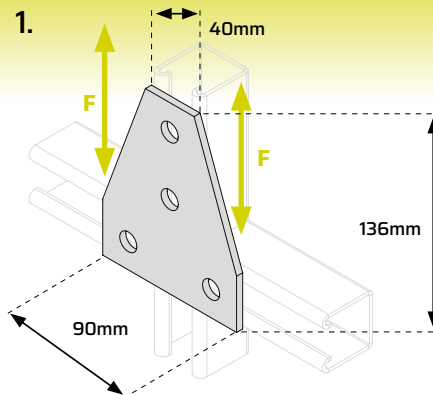


HOT-DIP GALVANISED (HDG)

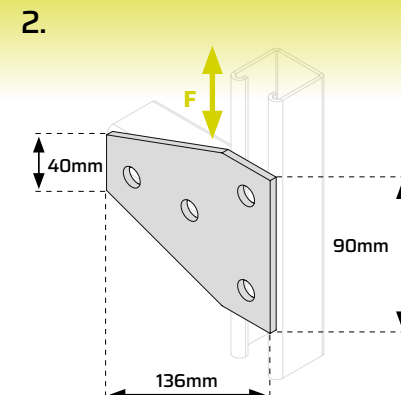
CODE	SIZE	MAX SAFE LOAD F kN
2013 01061	40 x 136 x 136mm	7.400

Flat Delta T Plate

1.



2.



HOT-DIP GALVANISED (HDG)

CODE	SIZE	1. MAX SAFE LOAD F kN	2. MAX SAFE LOAD F kN
2013 01076	40 x 90 x 136mm	9.445	8.999

TECHNICAL DATA

Steel Minimum Yield Stress:	275N/mm ²
Steel Thickness:	5mm
Clearance Hole:	14mm
	Minimum coating thickness
Hot-Dip Galvanised (HDG)	55µm

MAXIMUM SAFE LOADS

Loads apply to channel bracket shown assembled with:

- 2.5mm Thick Channel
- M10 DIN 933 Grade 8.8 set screws with
- M10 DIN 125 washers
- 55Nm torque setting

