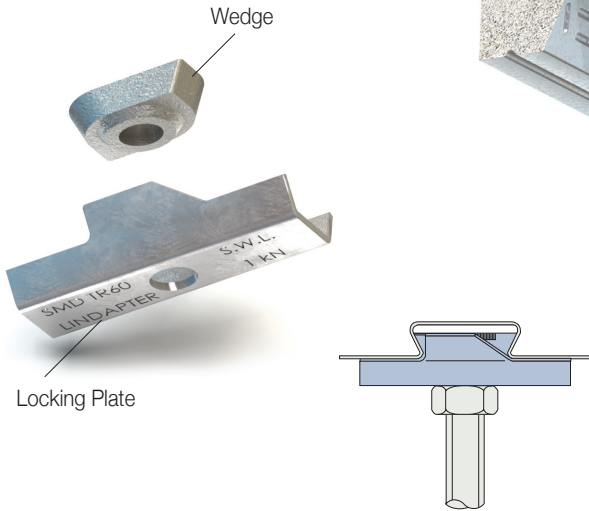


Type TR60

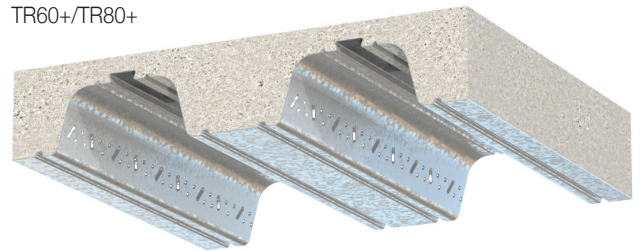
Locking Plate: Pre-galvanised strip
 Wedge: Malleable iron, bright zinc plated



The TR60 fixing is designed for the TR60, TR60+, TR80 and TR80+ profiles manufactured by Structural Metal Decks (SMD®) (see page 56).

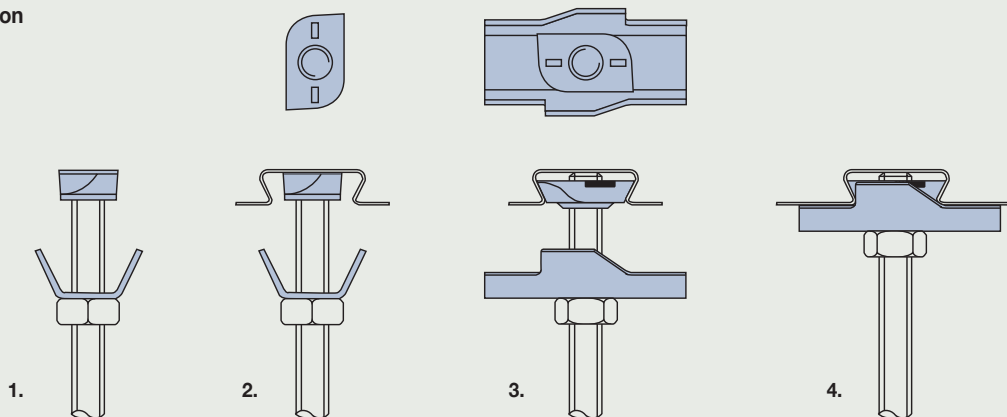
Product Code	Rod	Safe Working Load (3:1 Factor of Safety)	
		Tensile / 1 Rod kN	Tightening Torque Nm
TR6006	M6	1.0	10
TR6008	M8	1.0	10
TR6010	M10	1.0	10

TR60+/TR80+



Order example: TR6006

Installation



1. Pre-assemble the locking plate and wedge (flat surface facing up) onto the threaded rod.
2. Insert wedge into the re-entrant channel of the decking and rotate until the chamfered cams engage on the sides of the channel.
3. Slide the plate up the threaded rod and over the wedge to lock it into position in the channel.
4. Tighten the locknut beneath the plate to hold the assembly in position.

Note: If the decking profile is deformed/distorted, the fixing should not be installed. If in doubt, please contact Lindapter's Technical Support Department for advice.