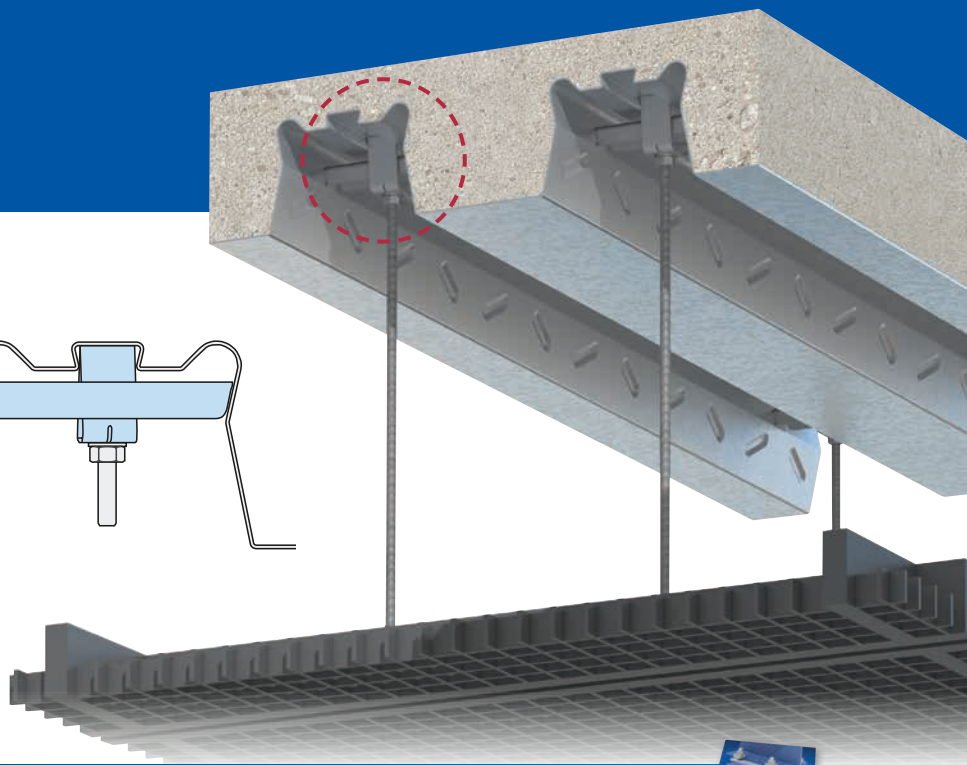
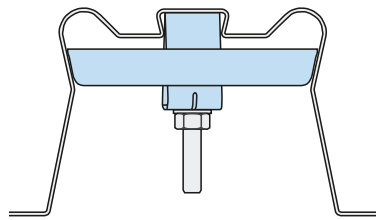
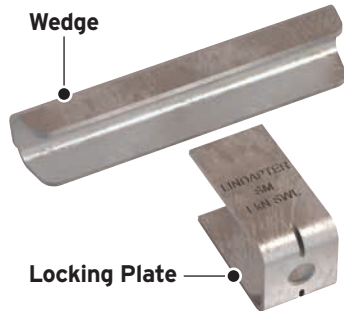


## Type SM

Suitable for SigDeck 100 decking profiles manufactured by Sigmat.



For Characteristic Resistances when designing a connection to Eurocode 3, refer to DoP No.024 (CE) on Lindapter's website or request a DoP Brochure.

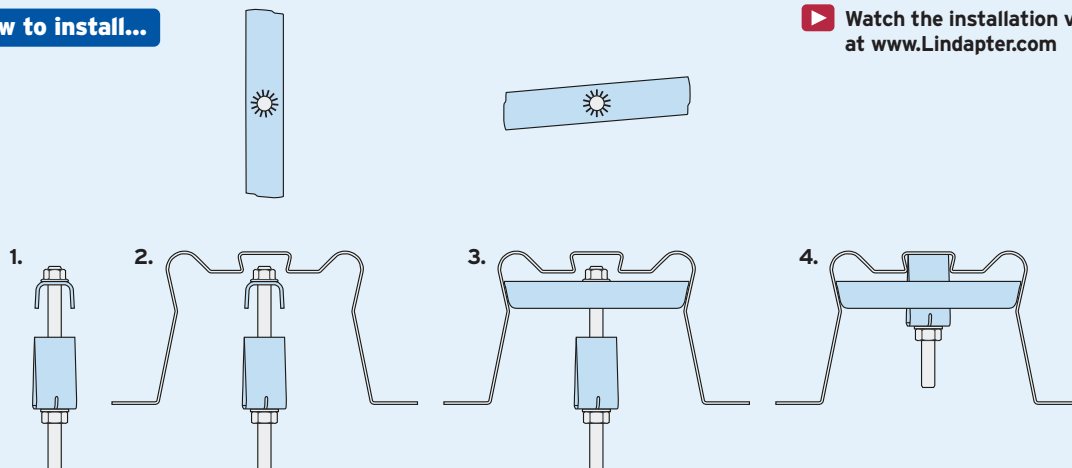
Material: Mild Steel and Bright Zinc Plated (BZP)

Product Code	Rod min 4.6	Safe Working Load (FOS 3:1)	
		Tensile / 1 Rod kN	Tightening Torque Nm
SM10	M10	1.0	8



### How to install...

▶ Watch the installation video at [www.Lindapter.com](http://www.Lindapter.com)



- 1) Pre-assemble the locking plate and wedge plate onto the threaded rod with the flange nut above the wedge plate, and a nut and washer beneath the locking plate.
- 2) Insert the wedge plate into the re-entrant channel of the decking.
- 3) Rotate the wedge until it contacts on both sides (approximately 85°). The wedge should be horizontal.
- 4) Slide the plate up the threaded rod and over the wedge to lock it in position. To secure the assembly tighten the nut beneath to 8Nm (or as a guide, finger tighten the nut plus one full turn of the spanner).

- ▶ The fixing is to be secured with the wedge sat equally on both ends and slightly angled, as step 3.
- ▶ Install the decking fixings after the concrete has been poured and has reached full strength.
- ▶ If the decking profile is deformed or distorted, do not install the fixing. If in doubt, contact the Technical Support team for advice.