

Mounting Plate GPL F

Group: A838

Application

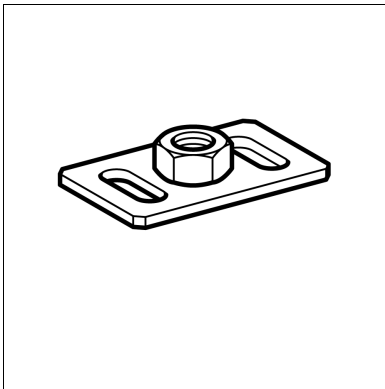
Interface component to connect threaded bar and threaded tube to Beam Section F 80 or F 100.

Installation

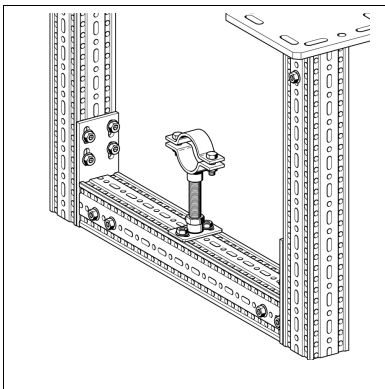
Requires 2 x Self Forming Screw FLS per Mounting Plate GPL.

Technical Data

Type	Tension [kN]	Lateral force [kN]	Perm. bending moment [Nm]
GPL F 80-1/2"	8.0	13.0	53
GPL F 80-M10	8.0	13.0	15
GPL F 80-M12	8.0	13.0	26
GPL F 80-M16	8.0	13.0	62
GPL F 100-1/2"	8.0	13.0	53
GPL F 100-M10	8.0	13.0	15
GPL F 100-M12	8.0	13.0	26
GPL F 100-M16	8.0	13.0	62



Dimensions of base plate GPL F 80: 80 x 50 x 4 mm
 Dimensions of base plate GPL F 100: 100 x 50 x 4 mm
 Material: Steel, HCP



Type	W [kg]	Quantity [pack]	Part number
GPL F 80-1/2"	0.1	50	192900
GPL F 80-M10	0.1	50	113004
GPL F 80-M12	0.1	50	112911
GPL F 80-M16	0.1	50	195833
GPL F 100-1/2"	0.2	50	113089
GPL F 100-M10	0.2	50	113338
GPL F 100-M12	0.2	50	113646
GPL F 100-M16	0.2	50	113090