

Beam Section Holder TPH F 80

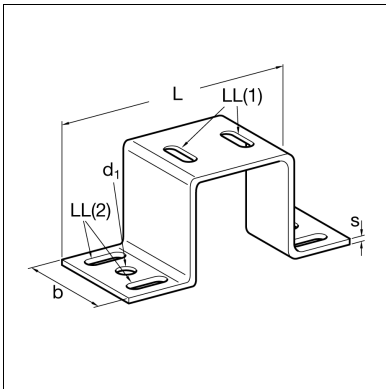
Group: A425

Application

Interface element to connect 90° intersecting Beam Sections F80. Alternatively the Beam Section Holder TPH may be used to connect only one beam section to an even surface with suitable wall anchors or with cast-in channel accessories.

Installation

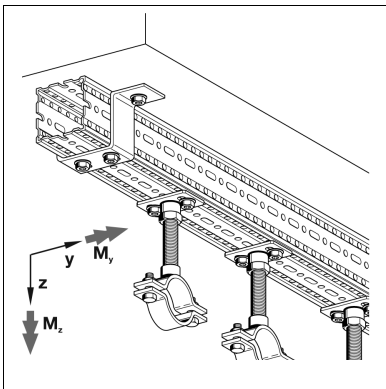
Connecting one Beam Section F80 90° to another one by using 6 x Self Forming Screw FLS applied through all elongated holes. Connecting to any other surface or member by using 2 x Self Forming Screws FLS through the two elongated holes on the top of the Beam Section Holder TPH F80 plus 2 appropriate fixing elements up to M12 through the two holes “d1”.



Technical Data

| Type | L x w x th [mm] | Ø d ₁ [mm] | Elongated hole LL1 d x a [mm] | Elongated hole LL2 d x a [mm] |
|---------------|-----------------|-----------------------|-------------------------------|-------------------------------|
| TPH F 80/30 | 181 x 50 x 4 | 13 | 11 x 20 | - |
| TPH F 80/30 C | 199 x 80 x 4 | 14 | 11 x 20 | 11 x 20 |
| TPH F 80 | 181 x 50 x 4 | 13 | 11 x 20 | - |
| TPH F 80 C | 199 x 80 x 4 | 14 | 11 x 20 | 11 x 20 |

| Type | F _x [kN] | F _y [kN] | F _z [kN] | M _y [kNm] | M _z [kNm] |
|---------------|---------------------|---------------------|---------------------|----------------------|----------------------|
| TPH F 80/30 | 6.2 | 20.8 | 13.6 | 0.9 | 0.9 |
| TPH F 80/30 C | 6.2 | 12.7 | 12.3 | 0.6 | 0.5 |
| TPH F 80 | 6.2 | 20.8 | 13.6 | 0.9 | 0.9 |
| TPH F 80 C | 6.2 | 12.7 | 12.3 | 0.6 | 0.5 |



The above load data indicates permissible loads and includes Partial Safety Factors $\gamma_{M2} = 1.25$ (EN 1993-1-8:2010-12, Tab. 2.1) and $\gamma_G = 1.35$ (EN 1990:2010-12, Tab. A1.2(B)) for general permanent actions.

Material: Steel, HCP

| Type | W [kg] | Quantity [pack] | Part number |
|---------------|--------|-----------------|---------------|
| TPH F 80/30 | 0.4 | 10 | 116672 |
| TPH F 80/30 C | 0.5 | 10 | 116673 |
| TPH F 80 | 0.5 | 10 | 195765 |
| TPH F 80 C | 0.8 | 10 | 111732 |

