

SB F 80-16

U-Holder SB F 80

Group: A439

Application

Pre-assembled component to clamp Beam Section F80 bzw. F 80/30 to the flange side of traditional steel sections.

Scope of delivery

Type SB F 80-16 bzw. F 80/30-16:

Holder with thread M10

Plate

2 Hexagon nuts M10

2 Washers

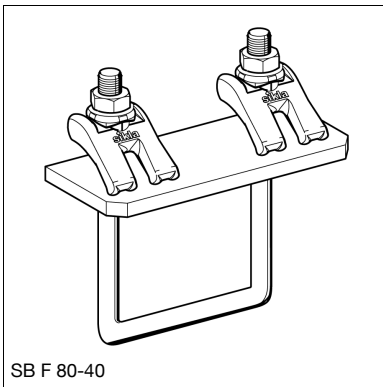
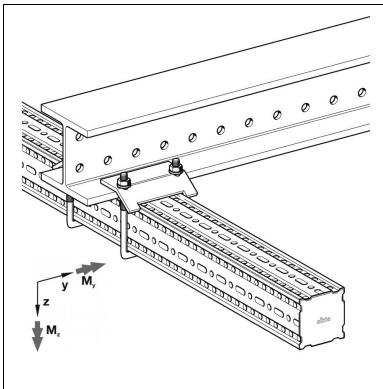
Type SB F 80-40 bzw. F 80/30-40:

Holder with thread M12

Plate

2 Beam Clips SPA 5P AU

2 Hexagon nuts M12



SB F 80-40

Installation

U-holder to be used in pairs.

Type 16 up to flange thickness 16 mm

Type 40 up to flange thickness 40 mm

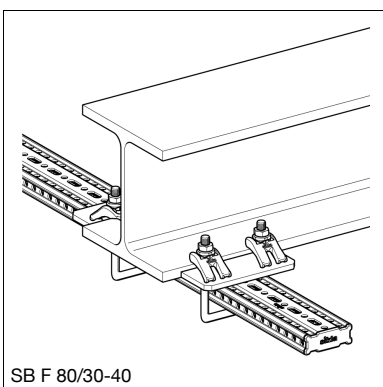
Technical Data

	Thread	Tightening torque [Nm]	F_z per U-Holder [kN]	F_y [kN]	M_y [kNm]	M_z [kNm]
SB F 80-16	M10	40	9.5	*	*	*
SB F 80-40	M12	85	16	*	*	*
SB F 80/30-16	M10	40	9.5	*	*	*
SB F 80/30-40	M12	85	16	*	*	*

* Please check the suitable dimensions for the permissible forces and moments, in the Simotec user guidelines.

Material: Steel, FK 8.8, HCP

Type	W [kg]	Quantity [pack]	Part number
SB F 80-16	0.6	20	192683
SB F 80-40	1.4	10	194010
SB F 80/30-16	0.5	20	115840
SB F 80/30-40	1.4	10	115839



SB F 80/30-40