

SHB F 80-220

Insulated Foot Plate SHB F 80

Group: A440

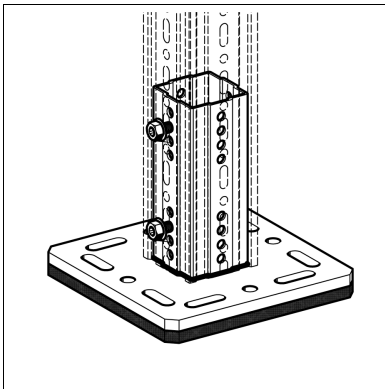
Application

Integrated footplate and permeable rubber compound mat to provide a solution for the support of building services, without the need for penetrative supports. In combination with the Sikla siFramo TP F 80 section, any frame structure may be built up from the footplates.

Especially suitable for maintaining the thermal and waterproofing integrity of a roof or basement floor as no penetrative fixings are required to secure the footplates for service supports.

Installation

Assembly to beam section F 80 by means of 4 self forming screws FLS F.



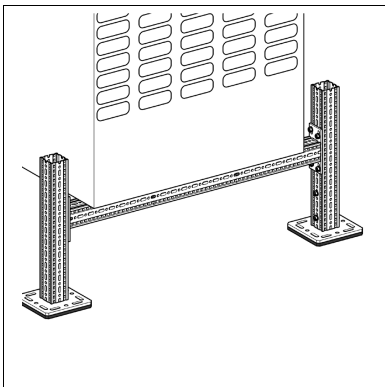
Technical Data

statical E-module:	according to DIN 53513	0.8 - 0.9 N/mm ²
dynamical E-module:	according to DIN 53513	0,6 - 2.2 N/mm ²
Compression set:	DIN 53572	approx. 4.0 % measured 30 min. after release at 50 % compression / 23°C after 72 Std.
Tensile strength:	DIN 53571	0.40 N/mm ² min.
Ultimate elongation:	DIN 53571	70 % minimum value
Tear strength:	DIN 53515	3.4 N/mm ² minimum value
Fire resistance:	DIN 4102	B2

Die systembedingte Haftreibung ist bauseits zu ermitteln. Abhängig von der verwendeten Dachfolie wird der Einsatz einer zusätzlichen Trennschicht empfohlen. Die Lastenleitung ins Bauwerk ist bauseits zu prüfen.

Further dimensions of SHB F 80-200 see End Support WBD F 80.

Material: steel, HCP, rubber-compound material



Type	Plate dimensions [mm]	W [kg]	Quantity [pack]	Part number
SHB F 80-220	220 x 220	5.7	1	198926