

Cantilever Bracket AK F 80

Group: A420

Application

Galvanised hollow-box-section with welded end-plate to serve as cantilever arm. May be used as a crossbar when combined with End Support STA and 4 x Self Forming Screw FLS.

Scope of delivery

With pre-assembled End Cap ADK F 80

Installation

With 4 x Self Forming Screw FLS when fixed to another siFramo box-section.

Technical Data

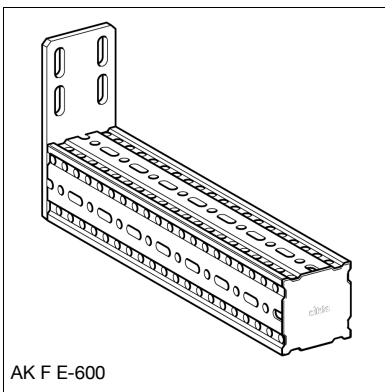
| Type | L [mm] | Dimensions of base plate [mm] | slots in base plate for [mm] | A [mm] |
|---------------|--------|-------------------------------|------------------------------|--------|
| AK F 80-400 | 400 | 190 x 80 x 8 | 20 x 11 | 14 |
| AK F 80-800 | 800 | 190 x 80 x 8 | 20 x 11 | 14 |
| AK F 80-E-600 | 600 | 165 x 80 x 8 | 20 x 11 | - |

Configuration: Plate welded to Beam section F 80

Material:

Plate Steel, HCP

Beam section Steel, HCP



AK F E-600

Approvals / Conformity

CE mark (Declaration of performance see www.sikla.co.uk/downloads)

| Type | W [kg] | Quantity [pack] | Part number |
|---------------|--------|-----------------|---------------|
| AK F 80-400 | 3.4 | 1 | 192764 |
| AK F 80-800 | 5.8 | 1 | 192771 |
| AK F 80-E-600 | 4.5 | 1 | 110370 |

