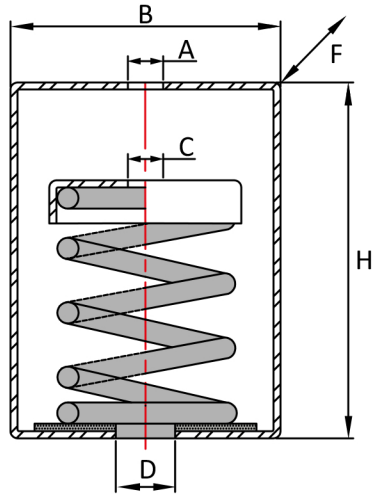


Hangers



| Part No | B | F | H | A | D | C | Defl. mm | Max Kg |
|---------|-----|----|-----|----|----|----|----------|--------|
| 25 | 75 | 55 | 100 | 12 | 30 | 11 | 24 | 25 |
| 50 | 75 | 55 | 100 | 12 | 30 | 11 | 24 | 50 |
| 75 | 75 | 55 | 100 | 12 | 30 | 11 | 24 | 75 |
| 100 | 75 | 55 | 100 | 12 | 30 | 11 | 24 | 100 |
| 150 | 120 | 75 | 155 | 16 | 16 | 14 | 35 | 150 |
| 250 | 120 | 75 | 155 | 16 | 16 | 14 | 35 | 250 |
| 350 | 120 | 75 | 155 | 16 | 16 | 14 | 35 | 350 |