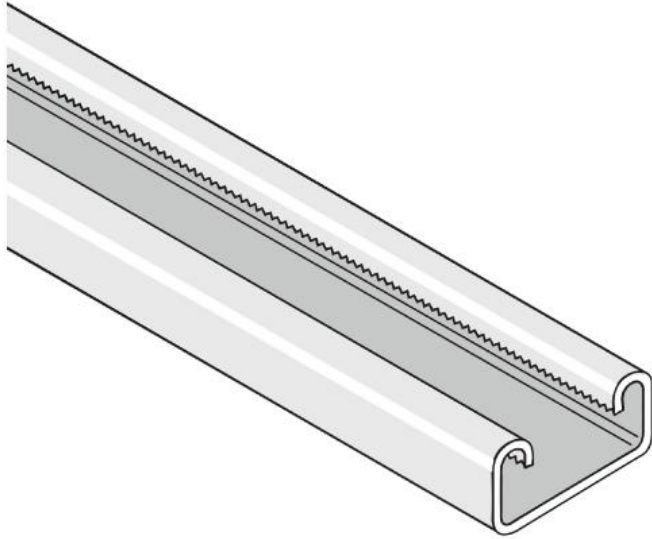


- ✓ RIGHT PRODUCTS
- ✓ RIGHT PLACE
- ✓ RIGHT TIME

Plain Channel, 41 x 21, 2.5mm



Plain Channel, 41 x 21, 2.5mm in Pre Galvanised (PG) finish. Available in 3m and 6m lengths.

Manufactured from mild steel (S280GD) to BS 6946.

These standard duty channel sections have been designed to provide a versatile and economical solution to industrial framing and support problems. The system comprises 2.5mm rolled galvanised steel channel sections which may be easily assembled / modified using brackets, spring nuts and bolts.

Technical data supplied by the manufacturer.

Description

Dimensions: 41 x 21, 2.5mm

Lengths: 3m and 6m

Material: Mild Steel

Finish: Pre Galvanised (PG)

- Channel manufactured to comply with BS 6946 from Mild Steel (S280GD) with a minimum yield stress of 280N/mm²
- Pre Galvanised (PG) BS EN 10346 Zinc coating Z275

Remark: This technical data sheet replaces all previous versions. The technical data contained herein is given in good faith and we cannot be held liable for any errors, inaccuracies, omissions or editorial failings. The information detailed in this technical data sheet is given by way of indication and is not exhaustive, users should contact either the seller or the manufacturer of the product for additional technical information concerning its use, if they think the information in their possession needs to be clarified in any way. Any illustrations shown are indicative only, and dimensions may differ slightly from batch to batch.

- ✓ RIGHT PRODUCTS
- ✓ RIGHT PLACE
- ✓ RIGHT TIME

Product Information Table - 3m Length

Span or Column Unsupported High (mm)	Uniform Load @ 175NN/mm ² Stress (kg)	Deflection (mm) at 175NN/mm ²	Uniform Load at Max. Deflection of 1/200 th Span (kg)	Uniform Load at Max. Deflection of 1/360 th Span (kg)	Max. Load of Column Loaded @ Centroid (kg)	Max. Load of Column Loaded @ Slot Face (kg)
C250	553	0.45	-	-	3993	1042
500	276	1.81	-	212	3379	995
750	184	4.07	169	94	2198	859
1000	138	7.24	95	53	1353	690
1250	110	11.32	61	33	896	548
1500	92	16.3	42	23	(634)	(437)
1750	79	22.19	31	-	(471)	(353)
2000	69	28.99	23	-	-	-

Remark: This technical data sheet replaces all previous versions. The technical data contained herein is given in good faith and we cannot be held liable for any errors, inaccuracies, omissions or editorial failings. The information detailed in this technical data sheet is given by way of indication and is not exhaustive, users should contact either the seller or the manufacturer of the product for additional technical information concerning its use, if they think the information in their possession needs to be clarified in any way. Any illustrations shown are indicative only, and dimensions may differ slightly from batch to batch.