

- ✓ RIGHT PRODUCTS
- ✓ RIGHT PLACE
- ✓ RIGHT TIME

Armorgard PipeStor™ PS3

The Armorgard PipeStor are a mobile secure storage trunk for keeping copper piping safe and organised.



Technical data supplied by the manufacturer

Additional Information

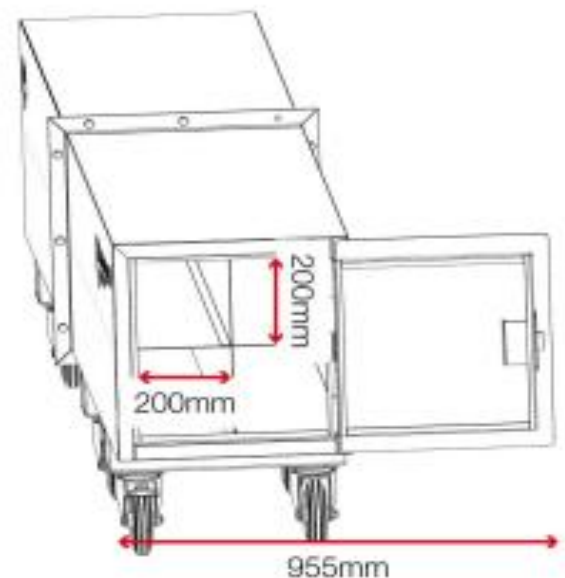
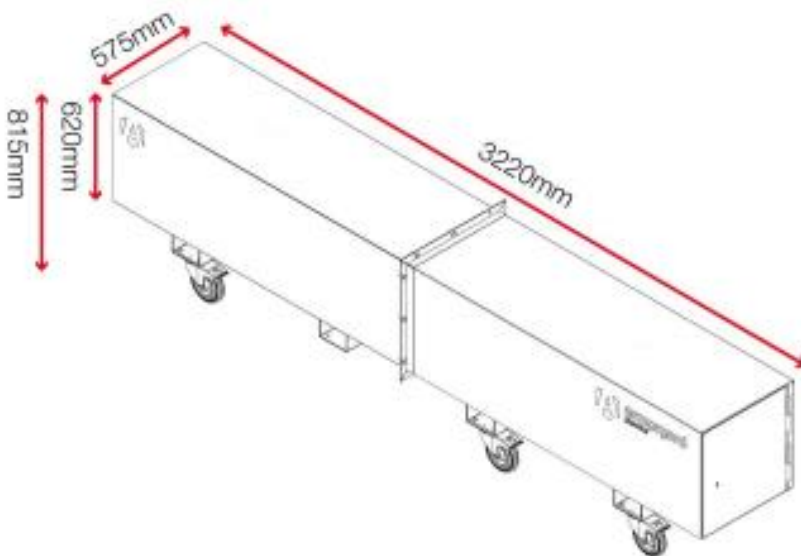
- Internally divided into 4 separate compartments which maximises the storage capacity and maintains tidiness within the unit
- Supplied in 1.5m lengths which are bolted together
- Designed for storing anything up to 3m in length
- 4 internal compartments maximises storage capacity
- Supplied with 2 robust keys
- 5 lever deadlocks

MEP & HVAC FIXING SPECIALISTS

Springhead Enterprise Park, Springhead Road, Northfleet, Kent DA11 8HJ
 T 01322 274226 F 01322 278178 E sales@fixmart.co.uk www.fixmart.co.uk

- ✓ RIGHT PRODUCTS
- ✓ RIGHT PLACE
- ✓ RIGHT TIME

| | |
|--|------------------------------|
| Product | Armorgard PipeStor™ PS3 |
| External dimensions (HxWxD) | 815 x 3220 x 575mm |
| Weight | 133kg |
| Colour | Black Grey: RAL 7021 |
| Finished coating | Powder Coated |
| Material | Steel |
| Material thickness | 1.6mm |
| Does it have forklift skids? | Yes |
| Optional extras available | PipeStor Extension |
| Are castors standard or optional extra? | Standard |
| How are the castors fitted? | Quick-fix bolt on castor kit |



Remark: This technical data sheet replaces all previous versions. The technical data contained herein is given in good faith and we cannot be held liable for any errors, inaccuracies, omissions or editorial failings. The information detailed in this technical data sheet is given by way of indication and is not exhaustive, users should contact either the seller or the manufacturer of the product for additional technical information concerning its use, if they think the information in their possession needs to be clarified in any way.

- ✓ RIGHT PRODUCTS
- ✓ RIGHT PLACE
- ✓ RIGHT TIME



Armorgard PipeStor™ PS6

The Armorgard PipeStor are a mobile secure storage trunk for keeping copper piping safe and organised.



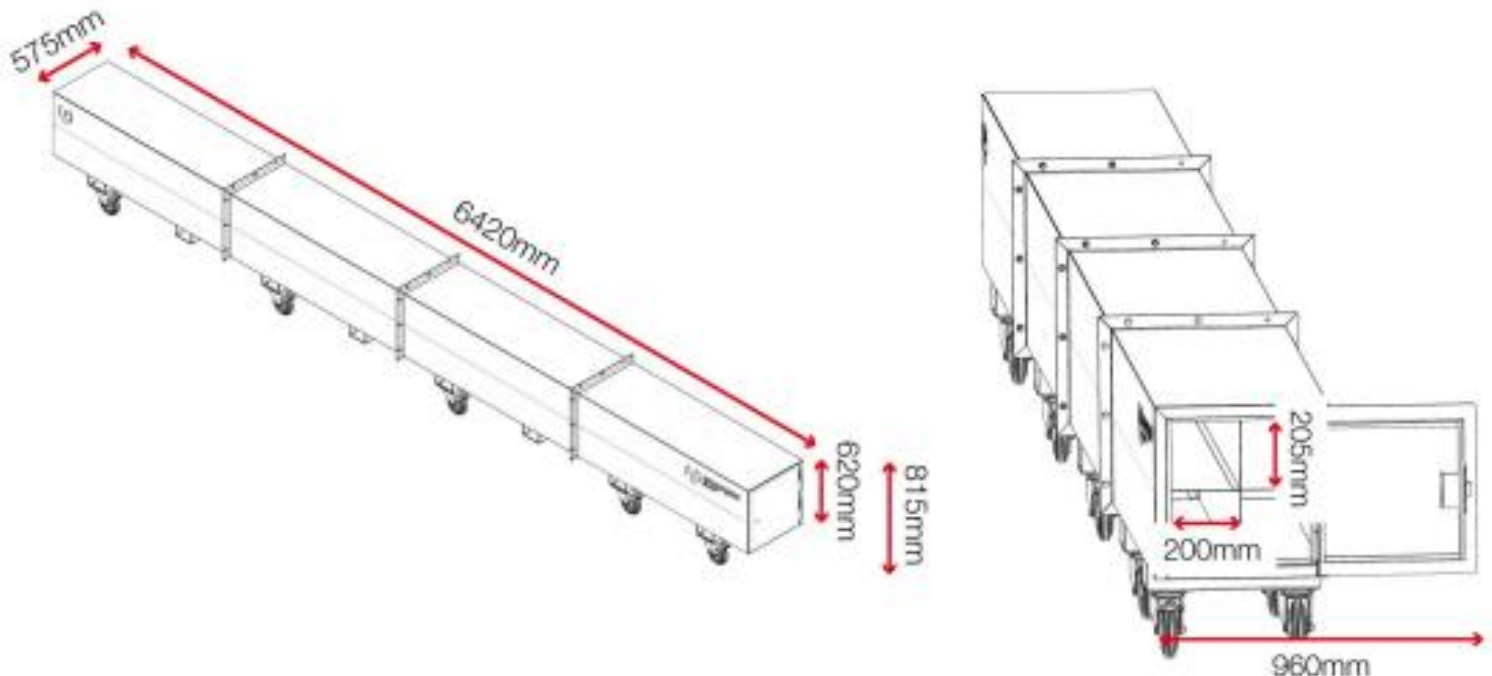
Technical data supplied by the manufacturer

Additional Information

- Internally divided into 4 separate compartments which maximises the storage capacity and maintains tidiness within the unit
- Supplied in 1.5m lengths which are bolted together
- Designed for storing anything up to 6m in length
- Supplied with 2 robust keys
- 5 lever deadlocks

- ✓ RIGHT PRODUCTS
- ✓ RIGHT PLACE
- ✓ RIGHT TIME

| | |
|--|------------------------------|
| Product | Armorgard PipeStor™ PS6 |
| External dimensions (HxWxD) | 815 x 6420 x 575mm |
| Weight | 256kg |
| Colour | Black Grey: RAL 7021 |
| Finished coating | Powder Coated |
| Material | Steel |
| Material thickness | 1.6mm |
| Does it have forklift skids? | Yes |
| Optional extras available | PipeStor Extension |
| Are castors standard or optional extra? | Standard |
| How are the castors fitted? | Quick-fix bolt on castor kit |



Remark: This technical data sheet replaces all previous versions. The technical data contained herein is given in good faith and we cannot be held liable for any errors, inaccuracies, omissions or editorial failings. The information detailed in this technical data sheet is given by way of indication and is not exhaustive, users should contact either the seller or the manufacturer of the product for additional technical information concerning its use, if they think the information in their possession needs to be clarified in any way.