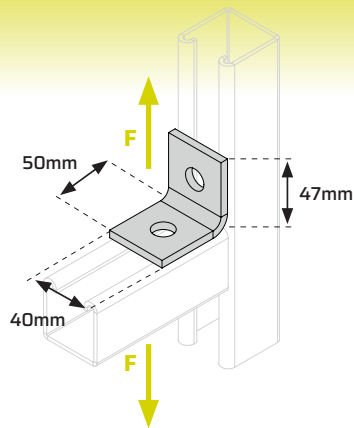


Angle Brackets

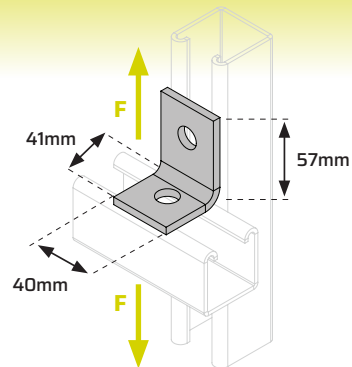
90° Angle Bracket 2-Hole



HOT-DIP GALVANISED (HDG)

CODE	SIZE	MAX SAFE LOAD F KN	
		- WITH CHANNEL	- BRACKET ONLY
2013 01034	40 x 47 x 50mm	6.748	0.944

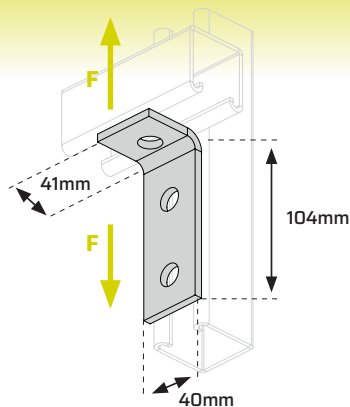
90° Angle Bracket 2-Hole



HOT-DIP GALVANISED (HDG)

CODE	SIZE	MAX SAFE LOAD F KN	
		- WITH CHANNEL	- BRACKET ONLY
2013 01035	40 x 41 x 57mm	6.748	1.225

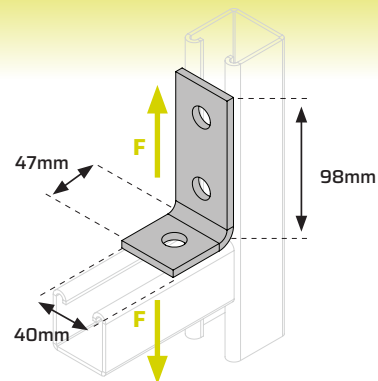
90° Angle Bracket 3-Hole



HOT-DIP GALVANISED (HDG)

CODE	SIZE	MAX SAFE LOAD F KN	
		- WITH CHANNEL	- BRACKET ONLY
2013 01036	40 x 41 x 104mm	9.265	1.495

90° Angle Bracket 3-Hole



HOT-DIP GALVANISED (HDG)

CODE	SIZE	MAX SAFE LOAD F KN	
		- WITH CHANNEL	- BRACKET ONLY
2013 01037	40 x 47 x 98mm	6.871	1.177

TECHNICAL DATA

Steel Minimum Yield Stress:	275N/mm ²
Steel Thickness:	5mm
Clearance Hole:	14mm
	Minimum coating thickness
Hot-Dip Galvanised (HDG)	55µm

MAXIMUM SAFE LOADS

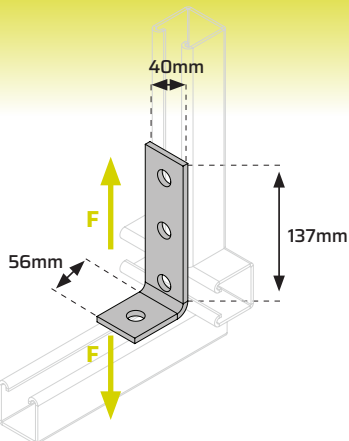
Loads apply to channel bracket shown assembled with:

1. 2.5mm Thick Channel
2. M10 DIN 933 Grade 8.8 set screws with
3. M10 DIN 125 washers
4. 55Nm torque setting



Angle Brackets

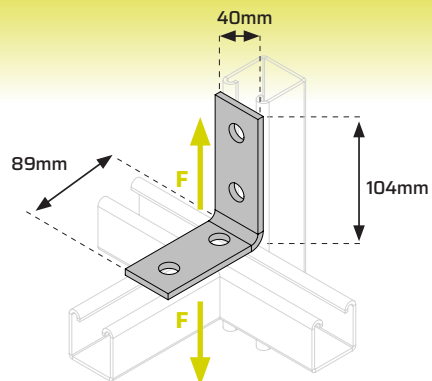
90° Angle Bracket 4-Hole (3x1)



HOT-DIP GALVANISED (HDG)

CODE	SIZE	MAX SAFE LOAD F kN	
		- WITH CHANNEL	- BRACKET ONLY
2013 01038	40 x 56 x 137mm	4.092	0.747

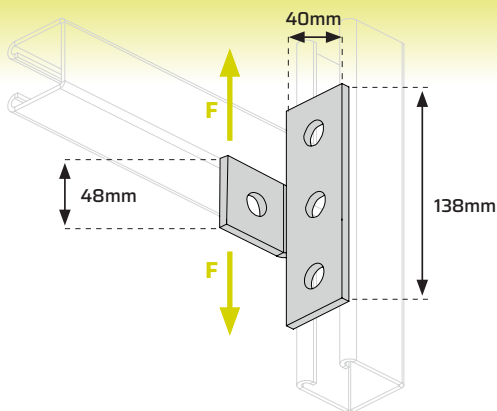
90° Angle Bracket 4-Hole (2x2)



HOT-DIP GALVANISED (HDG)

CODE	SIZE	MAX SAFE LOAD F kN	
		- WITH CHANNEL	- BRACKET ONLY
2013 01039	40 x 89 x 104mm	9.245	0.748

90° Angle Bracket 4-Hole(3x1)



HOT-DIP GALVANISED (HDG)

CODE	SIZE	MAX SAFE LOAD F kN	
		- WITH CHANNEL	- BRACKET ONLY
2013 17418	40 x 48 x 138mm	9.993	0.8352

TECHNICAL DATA

Steel Minimum Yield Stress:	275N/mm ²
Steel Thickness:	5mm
Clearance Hole:	14mm
	Minimum coating thickness
Hot-Dip Galvanised (HDG)	55µm

MAXIMUM SAFE LOADS

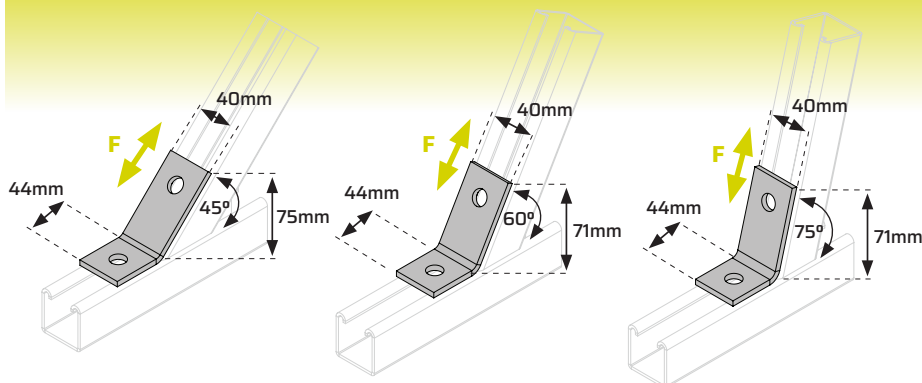
Loads apply to channel bracket shown assembled with:

1. 2.5mm Thick Channel
2. M10 DIN 933 Grade 8.8 set screws with
3. M10 DIN 125 washers
4. 55Nm torque setting



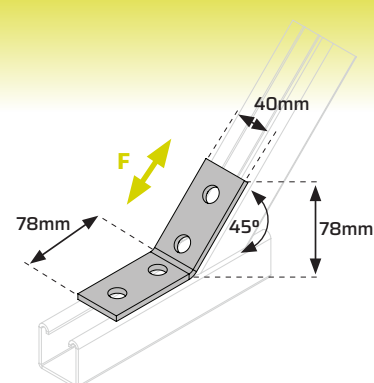
Angle Brackets

Obtuse Angle Bracket 2-Hole


HOT-DIP GALVANISED (HDG)

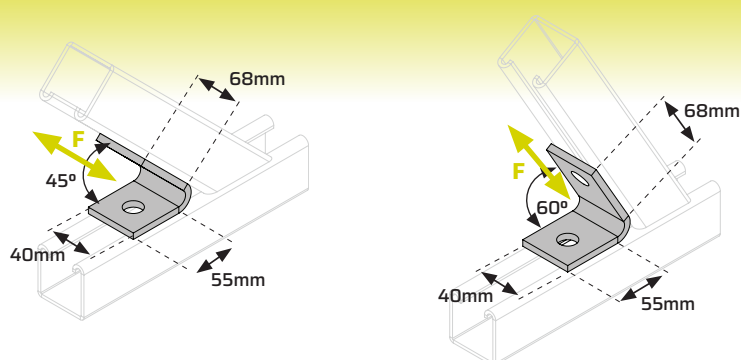
CODE	SIZE	MAX SAFE LOAD F kN	
		- WITH CHANNEL	- BRACKET ONLY
2013 01069	45° - 40 x 75 x 44mm	6.885	1.314
2013 01070	60° - 40 x 71 x 44mm	3.862	1.407
2013 01071	75° - 40 x 71 x 44mm	3.734	1.160

Obtuse Angle Bracket 4-Hole


HOT-DIP GALVANISED (HDG)

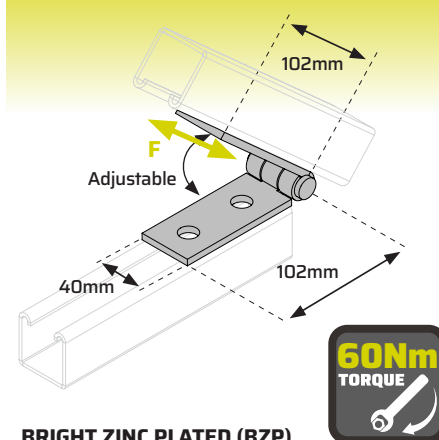
CODE	SIZE	MAX SAFE LOAD F kN	
		- WITH CHANNEL	- BRACKET ONLY
2013 01033	40 x 78 x 78mm	6.314	2.445

Acute Angle Bracket 2-Hole


HOT-DIP GALVANISED (HDG)

CODE	SIZE	MAX SAFE LOAD F kN	
		- WITH CHANNEL	- BRACKET ONLY
2013 01042	45° - 40 x 68 x 55mm	2.147	0.696
2013 01043	60° - 40 x 68 x 55mm	2.656	0.800

Adjustable Angle Bracket 4-Hole


BRIGHT ZINC PLATED (BZP)

CODE	SIZE	MAX SAFE LOAD F kN
	45° - 40 x 102mm	0.665

TECHNICAL DATA

Steel Minimum Yield Stress:	275N/mm ²
Steel Thickness:	5mm
Clearance Hole:	14mm
	Minimum coating thickness
Hot-Dip Galvanised (HDG)	55µm
Bright Zinc Plated (BZP)	5µm

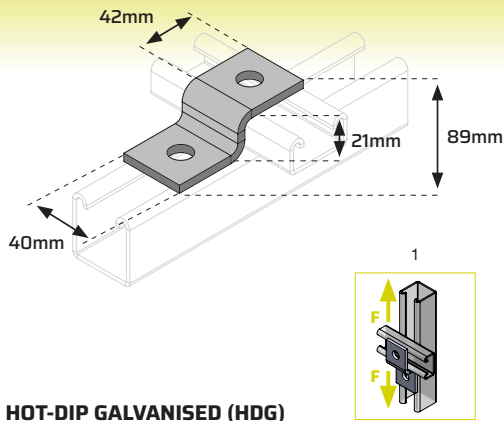
MAXIMUM SAFE LOADS
Loads apply to channel bracket shown assembled with:

- 2.5mm Thick Channel
- M10 DIN 933 Grade 8.8 set screws with
- M10 DIN 125 washers
- 55Nm torque setting



Angle Brackets

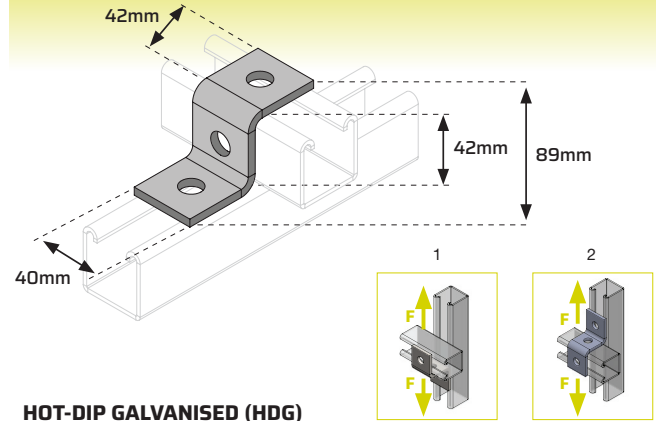
Z Bracket (41 x 21)



HOT-DIP GALVANISED (HDG)

CODE	SIZE	MAX SAFE LOAD F kN	
		1. (F kN)	2. (F kN)
2013 01089	40 x 89 x 21mm	1.2488	0.6248

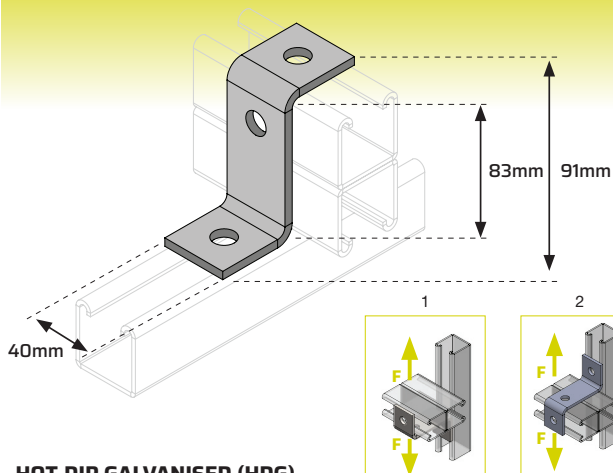
Z Bracket (41 x 41)



HOT-DIP GALVANISED (HDG)

CODE	SIZE	MAX SAFE LOAD F kN	
		1. (F kN)	2. (F kN)
2013 01090	40 x 89 x 42mm	1.2888	0.6268

Z Bracket (41 x 82)



HOT-DIP GALVANISED (HDG)

CODE	SIZE	MAX SAFE LOAD F kN	
		1. (F kN)	2. (F kN)
2013 01091	40 x 91 x 83mm	0.6652	0.6236

TECHNICAL DATA

Steel Minimum Yield Stress:	275N/mm ²
Steel Thickness:	5mm
Clearance Hole:	14mm
	Minimum coating thickness
Hot-Dip Galvanised (HDG)	55µm

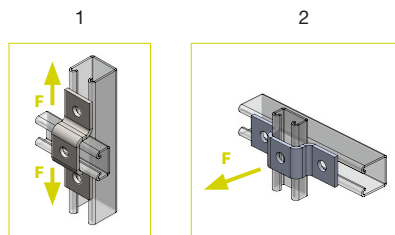
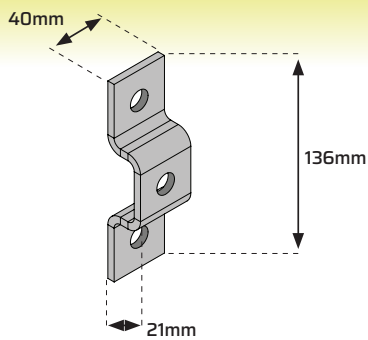
MAXIMUM SAFE LOADS

Loads apply to channel bracket shown assembled with:

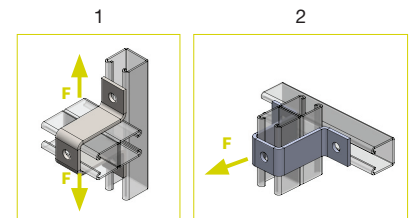
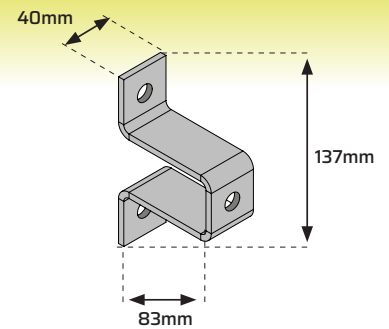
- 2.5mm Thick Channel
- M10 DIN 933 Grade 8.8 set screws with
- M10 DIN 125 washers
- 55Nm torque setting



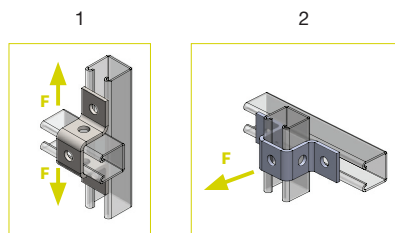
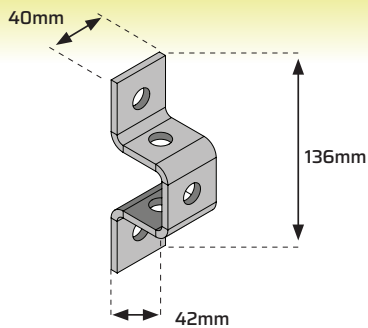
Angle Brackets

U Bracket (41 x 21)

HOT-DIP GALVANISED (HDG)

CODE	SIZE	MAX SAFE LOAD F kN	
		1. (F kN)	2. (F kN)
2013 01080	40 x 136 x 21mm	10.2396	5.252

U Bracket (41 x 82)

HOT-DIP GALVANISED (HDG)

CODE	SIZE	MAX SAFE LOAD F kN	
		1. (F kN)	2. (F kN)
2013 01081	40 x 137 x 83mm	2.4128	5.0048

U Bracket (41 x 41)

HOT-DIP GALVANISED (HDG)

CODE	SIZE	MAX SAFE LOAD F kN	
		1. (F kN)	2. (F kN)
2013 01082	40 x 136 x 42mm	4.7512	4.9504

TECHNICAL DATA

Steel Minimum Yield Stress:	275N/mm ²
Steel Thickness:	5mm
Clearance Hole:	14mm
	Minimum coating thickness
Hot-Dip Galvanised (HDG)	55µm

MAXIMUM SAFE LOADS
Loads apply to channel bracket shown assembled with:

1. 2.5mm Thick Channel
2. M10 DIN 933 Grade 8.8 set screws with
3. M10 DIN 125 washers
4. 55Nm torque setting

