

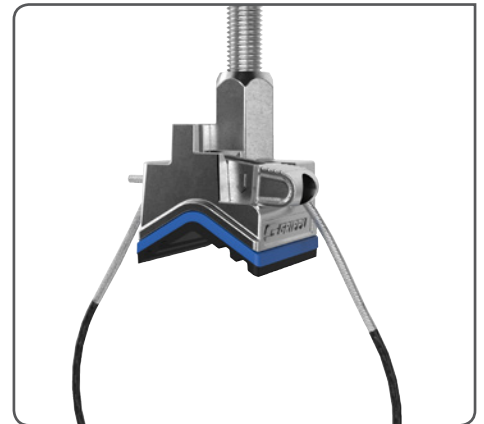
Universal Clamp



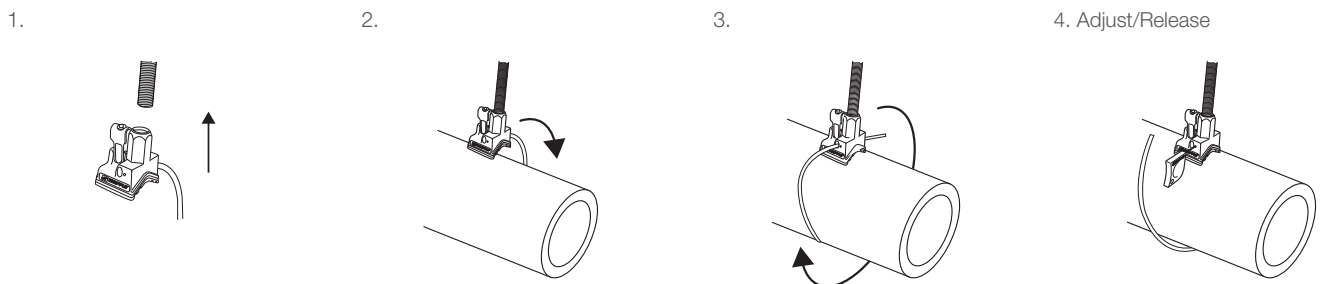
The Universal Clamp is engineered for hanging all types of pipework and ductwork within mechanical and plumbing services.

FEATURES / BENEFITS

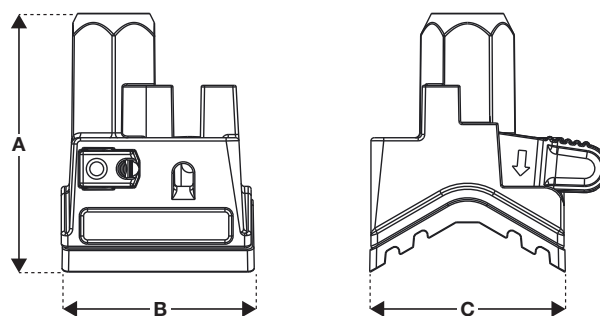
- Up to ten times faster than traditional methods
- For pipe sizes 15 mm Copper (OD15) to 6" (OD168) pipework (> OD104 requires 600 mm variant)
- Replaces more than 13 different pipe ring sizes
- Simplifies 'take-off' process
- Easy site storage, reduces waste
- Retractable sleeve, pre-fitted to wire rope to prevent galvanic corrosion
- M8/M10 dual thread for versatility during install
- Available with Kooltherm / Armaflex pipe collars for insulated pipe
- Supplied in kits with Gripple Universal Brackets
- Provides insulation against vibration



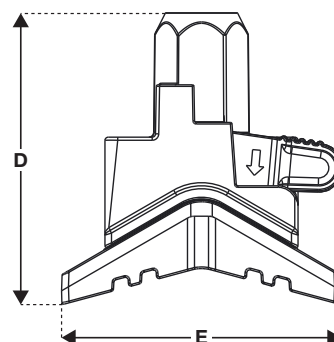
INSTALLATION



SPECIFICATION



Dimension	Size (mm)
A	40
B	29
C	29.5
D (Large Pad)	45
E (Large Pad)	40



AVAILABLE ACCESSORIES



For more options on available accessories please contact us or visit www.gripple.com

SUBMITTAL INFORMATION

Load Rating:

75 kg @ 3:1 safety factor

Material:

Housing - Type ZA2 Zinc

Wedge - Sintered steel hardened to min. 56 Rockwell C

Spring - Stainless Steel (Type 302)

Pad - EPDM 4015 Shore A

Approvals:

Lloyds certified

TUV tested

APAVE tested

PI-UNICLAMP-ENG

www.gripple.com

Gripple's policy is one of continuous development and innovation. We therefore reserve the right to alter specifications, etc. without notice.



Gripple Ltd | The Old West Gun Works | Savile Street East | Sheffield S4 7UQ

Tel 0800 018 4264 Fax 0114 275 1155 email info@gripple.com