

# BIS Slide Nut 651

(G 30 10)

fixing to BIS RapidRail®



651 3 0XX



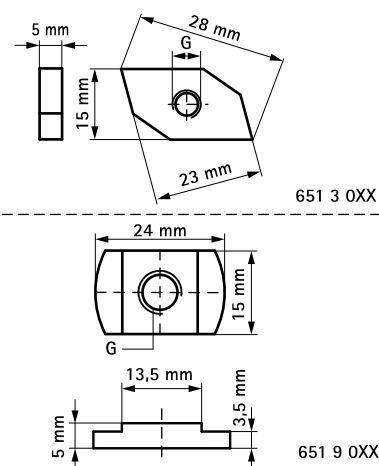
651 9 0XX

## Features and benefits

- suitable for rail WM0, 1, 15, 2, 30, 35
- material: steel
- Part No. 65130XX: because of shape the nut fits in rail
- zinc plated

Part No.	Type	G	T <sub>(max.)</sub> (Nm)	For Rail	F <sub>a,z</sub> (N)	Pack 1	Pack 2
6513006	651A	M6	7.5	WM0 (1 - 35)	-	100	2,000
6513008	651A	M8	10.0	WM0 (1 - 35)	-	100	2,000
6513010	651A	M10	12.0	WM0 (1 - 35)	-	100	2,000

*Part No. 65130XX recommended for WM0. Moderately suitable for other railtypes.*



## Complementary

RapidRail® Fixing Rail  
BIS RapidRail® Cantilever Arm (BUP1000)

## Alternative

BIS RapidRail® Slide Nut