

- ✓ RIGHT PRODUCTS
- ✓ RIGHT PLACE
- ✓ RIGHT TIME



Anti-Vibration Spring Hangers

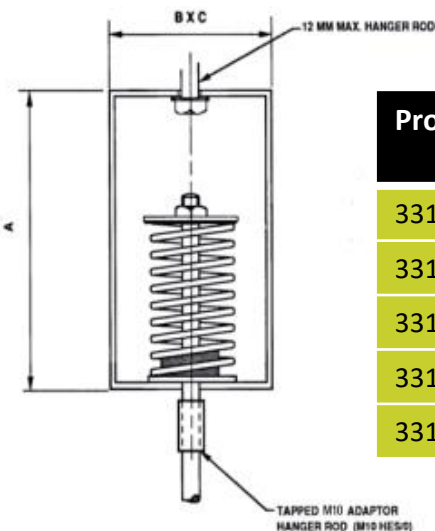
Anti-vibration Hangers help eliminate high frequency vibration. They have a helical steel spring held within a rolled steel case and a neoprene spring seat. With a 15mm static deflection they give isolation efficiencies in excess of 85% for running speeds down to 670 rpm at the rated load.

For easy installation they are supplied pre-rigged and come in a Zinc plated passivated finish, which makes them suitable for external use.

Description

Finish: Zinc Plated Passivated

Technical data supplied by the manufacturer.



Product Code	Weight Range	Dimension A (mm)	Dimension B (mm)	Dimension C (mm)
331402571	7-14kg	100	50	50
331402572	14-28kg	100	50	50
331402573	23-46kg	100	50	50
331402574	41-82kg	100	50	50
331402575	67-137kg	100	50	50

Remark: This technical data sheet replaces all previous versions. The technical data contained herein is given in good faith and we cannot be held liable for any errors, inaccuracies, omissions or editorial failings. The information detailed in this technical data sheet is given by way of indication and is not exhaustive, users should contact either the seller or the manufacturer of the product for additional technical information concerning its use, if they think the information in their possession needs to be clarified in any way. Any illustrations shown are indicative only, and dimensions may differ slightly from batch to batch.